



**ADDRESS**

**New York Location**  
31 Commercial St,  
Plainview NY 11803

**Texas Location**

12701 Executive Dr, STE 600  
Stafford, TX 77477

**CONTACT**

Email: [info@ledplusmore.com](mailto:info@ledplusmore.com)  
Tel: 516-832-1016 Ext.208

Specifications are subject to change without prior notice.



**LED Plus More**  
CATALOGUE



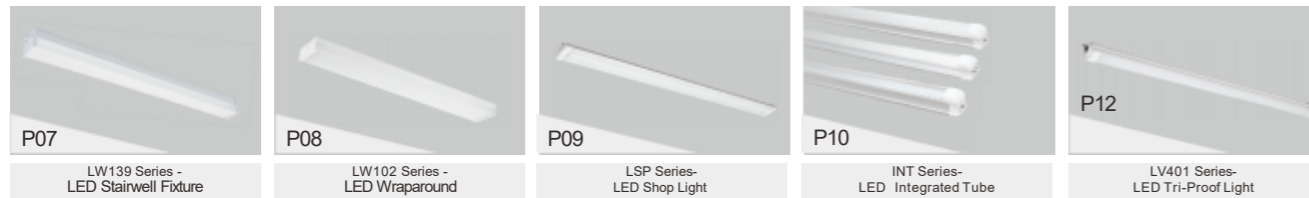
[www.ledplusmore.com](http://www.ledplusmore.com)

# TABLE OF CONTENTS

## LED Linear Series



## LED Linear Series



## LED Waterproof Linear Series

## LED Waterproof Linear Series



## LED Panel and Troffer Series



## LED Recessed Downlight Series

## LED Ceiling Light Series



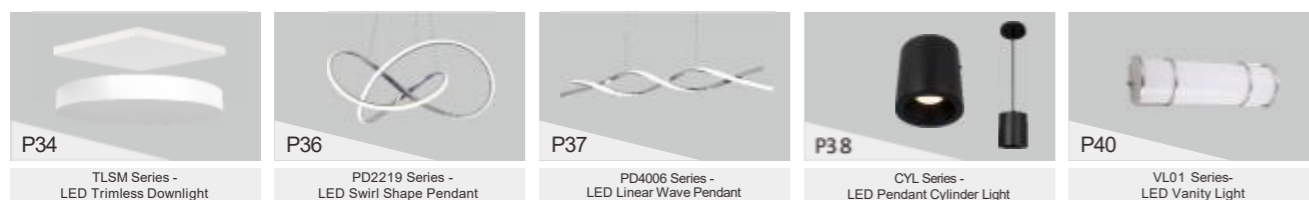
## LED Ceiling Light Series



## LED Ceiling Light Series

## LED Pendant Light Series

## LED Vanity Light Series



## LED Vanity Light Series

## LED Indoor Wall Sconce Series

## LED Linear High Bay Series



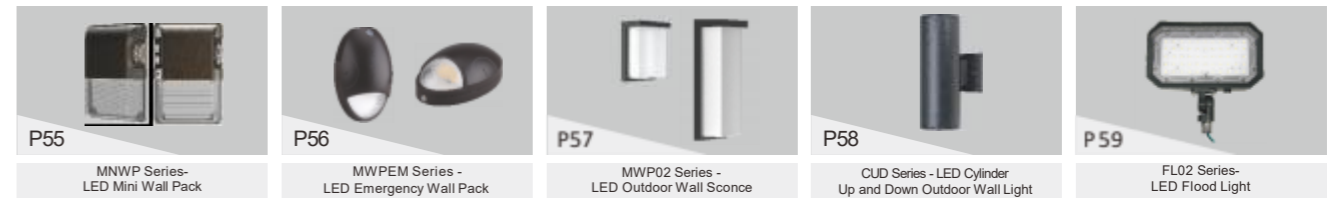
## LED UFO High Bay Series

## LED Gas Station Canopy Series

## LED Outdoor Light Series



## LED Outdoor Light Series



## LED Outdoor Light Series



## LED Sports Light Series

## LED Tube Series

## LED Exit Sign Series



## LED Exit Sign Series



## LED Exit Sign Series

## Accessories



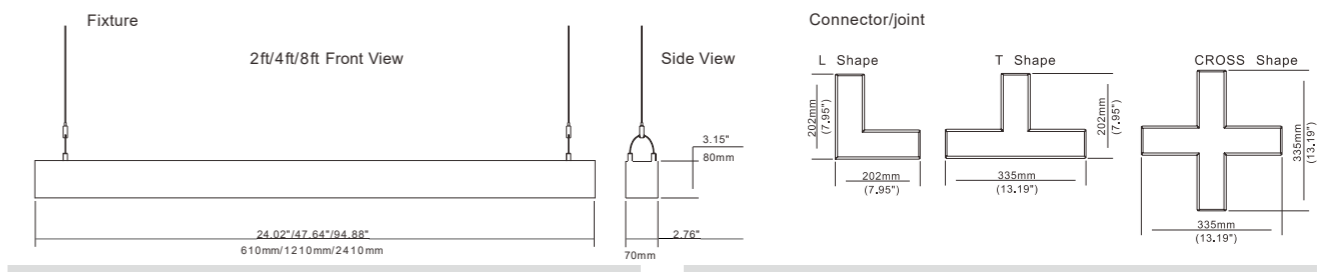


# LED LINEAR SERIES

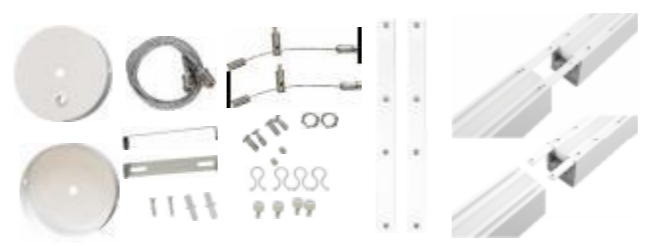
## LUD Series - LED Suspended Up and Down Light



### Dimensions



### Accessories



### Applications

Retail stores, schools, offices, conference rooms, and a variety of other residential or commercial settings.

### Features

- 0-10V dimmable and 6.5FT 5 wire power feed cable included to achieve more energy saving
- 6.5' adjustable hanging cables included
- Body: white or black finish
- Aluminum heat sink for efficient heat dissipation
- Linkable: With wire harness connection kit included for connecting power between fixtures
- CCT adjustable to fit for different locations

### Options



Emergency Backup Driver

### Specifications

CRI	> 80
Power Factor	> 0.9
Beam Angle	100°
THD	< 20%
Operating Temperature	-4°F~+104°F/-20°C~+40°C
Lifespan	Lumen maintenance over 70% @50,000+ Hours

Model	Input Voltage	Dimming	Size	Finish	Wattage	CCT	Lumen
HY-2FT-LUD-25W-30K/40K/50K(XX)	120-277 VAC	0-10 V	2ft	WH White BK Black	25 W	3000/4000/5000 K Selectable	3250 lm
HY-4FT-LUD-50W-30K/40K/50K(XX)			4ft		50 W		6500 lm
HY-8FT-LUD-100W-3CCT			8ft		100 W		13000 lm

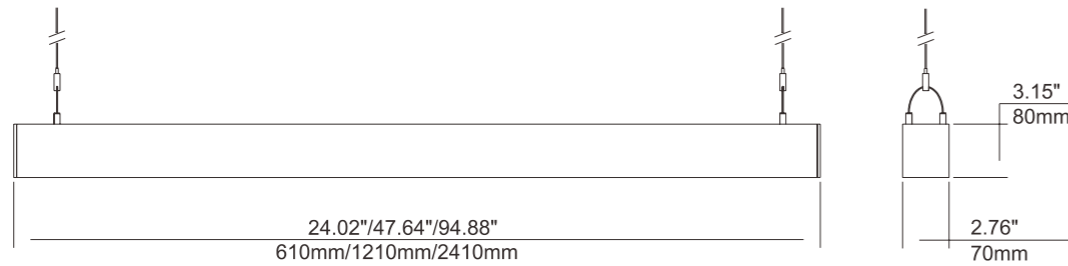
### Connector/joint

Model	Input Voltage	Dimming	Size	Finish	Wattage	CCT	Lumen
HY-LUD-ACC-L-12W-CCT	/	/	L Shape	WH White BK Black	12 W	3000/4000/5000 K Selectable	1560 lm
HY-LUD-ACC-T-12W-CCT			T Shape		12 W		1560 lm
HY-LUD-ACC-X-15W-CCT			X Shape		15 W		1950 lm

**LD Series - LED Linear Suspend Light**



**Dimensions**



**Specifications**

CRI	> 80
Power Factor	> 0.9
Beam Angle	100°
THD	< 20%
Finish	White
Operating Temperature	-4°F~+104°F / -20°~+40°
Lifespan	Maintains at least 70% light output for up to 50,000 hours

**Applications**

Offices, schools, hospitals, hallways, stairwells, workshops, and other commercial spaces.

**Accessories**

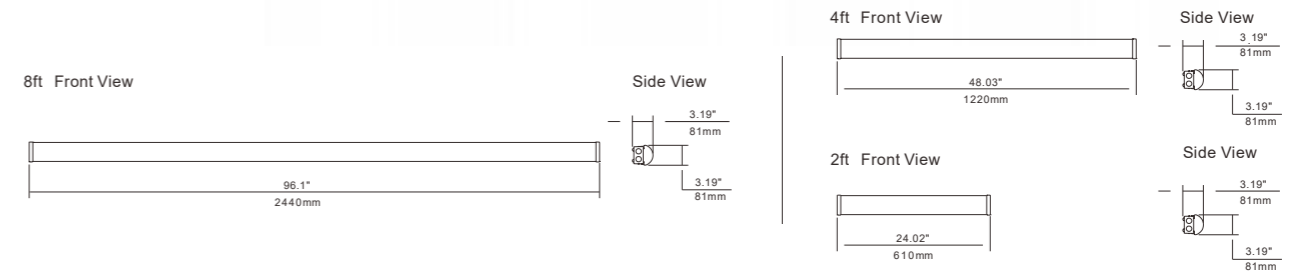


Model	Input Voltage	Dimming	Size	Wattage	CCT	Lumen
HY-2FT-LD-25W-30K/40K/50K	120-277 VAC	0-10 V	2ft	25 W	3000/4000/5000 K Selectable	3250 lm
HY-4FT-LD-50W-30K/40K/50K			4ft	50 W		6500 lm

**LS100 Series - LED Linear Strip**



**Dimensions**



**Accessories**



**Alignment Bracket**



**Specifications**

CRI	> 80
Power Factor	> 0.9
Beam Angle	120°
THD	< 20%
Operating Temperature	-4°F~+104°F/-20°C~+40°C
Lifespan	Lumen maintenance over 70% @50,000+ Hours

Model	Input Voltage	Dimming	Size	Wattage	CCT	Lumen
HY-2FT-LS100-20W-3CCT	120-277 VAC	0-10 V	2ft	20 W	3000/4000/5000 K Selectable	2600 lm
HY-4FT-LS100-3W3CCT			4ft	20/30/40 W Selectable		2600/3900/5200 lm
HY-4FT-LS100-80WHV-3W3CCT	120-347 VAC	0-10 V	4ft	40/60/80 W Selectable	3000/4000/5000 K Selectable	5200/7800/10400 lm
HY-8FT-LS100-3W3CCT	120-277 VAC		8ft	40/50/60 W Selectable		5200/6500/7800 lm
HY-8FT-LS100-H-3W3CCT				8ft	40/60/80 W Selectable	

**Applications**

Hospitals, hallways, stairwells, basements, workshops, laundry rooms, garages, and other commercial or industrial spaces.

**Features**

- Aluminum heat sink for efficient heat dissipation
- Linkable: Includes wire harness connection kit for easily linking power between fixtures
- Low-profile design with PMMA lens gives even no glare light distribution
- Adjustable WATT and CCT settings to accommodate various locations
- Dimming and additional motion control options are available to enhance energy savings

**Options**



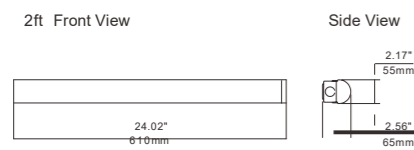
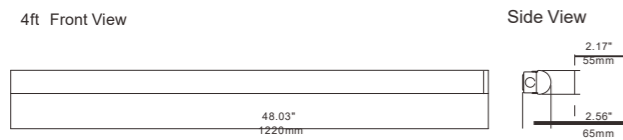
Emergency Backup Driver

Motion Sensor

**LS50 Series - LED Slim Linear Strip**



**Dimensions**



**Specifications**

CRI	> 80
Power Factor	> 0.9
Beam Angle	120°
THD	< 20%
Operating Temperature	-4°F~+104°F/-20°C~+40°C
Lifespan	Maintains at least 70% light output for up to 50,000 hours

Model	Input Voltage	Dimming	Size	Wattage	CCT	Lumen
HY-2FT-LS50-2W3CCT	120-277 VAC	0-10 V	2ft	12/18 W Selectable	3000/4000/5000 K Selectable	1560/2340 lm
HY-4FT-LS50-2W3CCT			4ft	24/36 W Selectable		3120/4680 lm

**Applications**

Retail stores, commercial spaces, schools, government institutions, and grocery stores.

**Features**

- Linkable: Includes a wire harness connection kit for seamless power connection between fixtures
- Adjustable wattage and color temperature cater to diverse locations
- Dimming and optional motion control choices are available to achieve increased energy savings

**Options**



Emergency Backup Driver

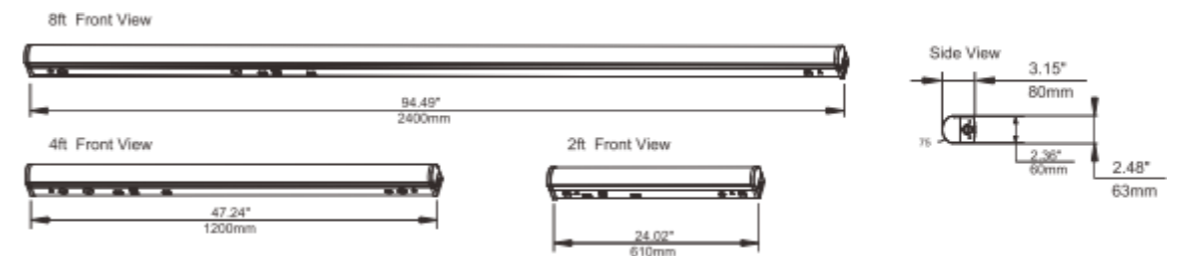


Motion Sensor

**LS8060 Series - LED Linear Strip**



**Dimensions**



**Specifications**

CRI	> 80
Power Factor	> 0.9
Beam Angle	120°
THD	< 20%
Finish	White
Operating Temperature	-4°F~+104°F/-20°C~+40°C
Lifespan	Maintains at least 70% light output for up to 50,000 hours

**Applications**

Offices, schools, hospitals, hallways, stairwells, workshops, and other commercial spaces.

**Accessories**

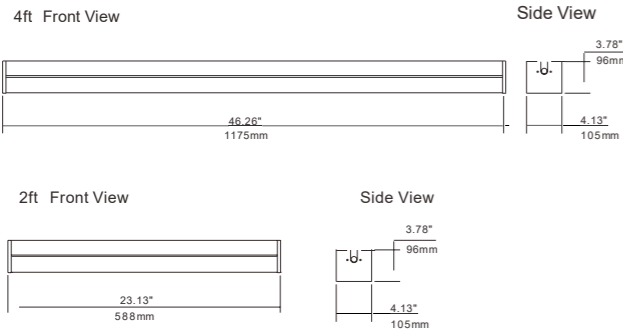


Model	Input Voltage	Dimming	Size	Wattage	CCT	Lumen
LS8060X-2FT-H-5WCCT (XX)	120-277 VAC	0-10 V	2ft	8/11/14/17/20 W selectable	3000/3500/4000/5000/6500 K Selectable	2572 lm(Max)
LS8060X-4FT-H-5WCCT(XX)			4ft	20/25/30/35/40 W selectable		5200 lm(Max)
LS8060T-4FT-H-5WCCT			4ft	24/36/48/60/72 W selectable		10104 lm(Max)
LS8060X-8FT-H-5WCCT(XX)			8ft	40/50/60/70/80 W selectable		10123 lm(Max)

**LW139 Series - LED Stairwell Fixture**



**Dimensions**



**Applications**

Stairwells, warehouses, retail spaces, residential garages, schools, institutions, and other commercial or industrial applications.

**Features**

- Designed for damp locations
- Featuring a robust steel housing and equipped with a heat-resistant prismatic lens
- Narrow width ideal for compact spaces such as stairways
- Choose between chain or surface mount installation
- Options include availability with an emergency backup kit or motion sensor

**Options**



**Specifications**

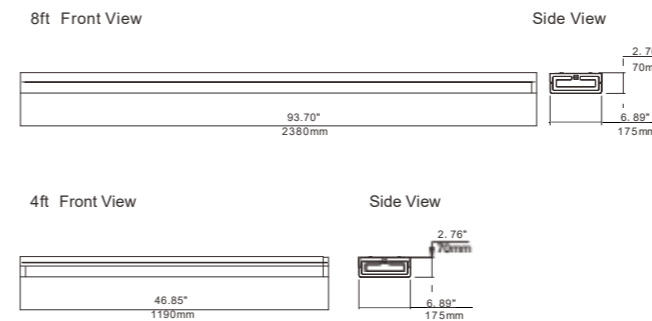
CRI	> 80
Power Factor	> 0.9
Beam Angle	120°
THD	< 20%
Operating Temperature	-4°F~+104°F/-20°C~+40°C
Lifespan	Maintains at least 70% light output for up to 50,000 hours

Model	Input Voltage	Dimming	Size	Wattage	CCT	Lumen
HY-2FT-LW139-18W-3CCT(XX)	100-277 VAC	0-10 V	2 ft	18 W	3000/4000/5000 K Selectable	2340 lm
HY-4FT-LW139-32W-3CCT(XX)			4 ft	32 W		4160 lm

**LW102 Series - LED Wraparound**



**Dimensions**



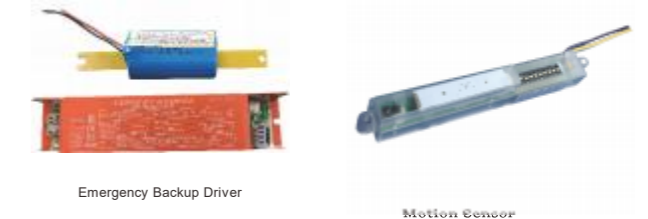
**Applications**

Commercial and industrial spaces, warehouses, retail stores, residential garages, schools, supermarkets, and institutions.

**Features**

- High energy efficiency: 40W replaces 2x32W T8
- Designed for damp locations
- Sturdy steel housing equipped with a heat-resistant prismatic lens
- Acrylic lens available in 4' and 8' lengths
- Choose between chain or surface mount installation
- Options include availability with an emergency backup kit or motion sensor

**Options**



**Specifications**

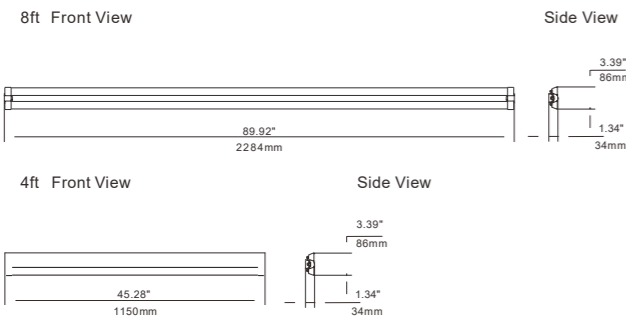
CRI	> 80
Power Factor	> 0.9
Beam Angle	120°
THD	< 20%
Operating Temperature	-4°F~+104°F/-20°C~+40°C
Lifespan	Maintains at least 70% light output for up to 50,000 hours

Model	Input Voltage	Dimming	Size	Wattage	CCT	Lumen
HY-4FT-LW102-40W-3CCT	110-277 VAC	0-10 V	4 ft	20/30/40 W Selectable	3000/4000/5000 K Selectable	5200 lm@40 W
HY-8FT-LW102-80W-3CCT			8 ft			80 W

LSP Series - LED Shop Light



Dimensions



Specifications

CRI	> 80
Power Factor	> 0.9
Beam Angle	110°
THD	< 20%
Operating Temperature	-4°F~+104°F/-20°C~+40°C
Lifespan	Maintains at least 70% light output for up to 50,000 hours

Model	Input Voltage	Dimming	Size	Wattage	CCT	Lumen
HY-4FT-LSP-30W-30/40/50K	110-277 VAC	0-10 V/ Non-dimmable	4ft	30 W	3000/4000/5000 K Selectable	4160 lm
HY-8FT-LSP-60W-30/40/50K		0-10 V	8ft	60 W		7800 lm

Accessories



Applications

Residential garages, basements, supermarkets, warehouses, offices, factories, and other commercial or industrial facilities.

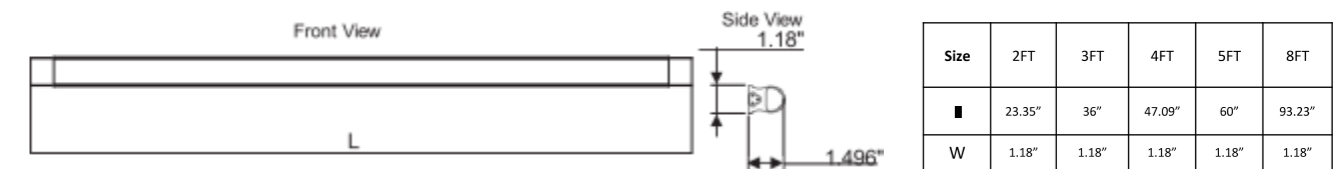
Features

- Designed for damp locations
- Low maintenance requirements
- Easily adjustable CCT tunable dip switch located at the front of the fixture

INT Series - LED Integrated Tube



Dimensions



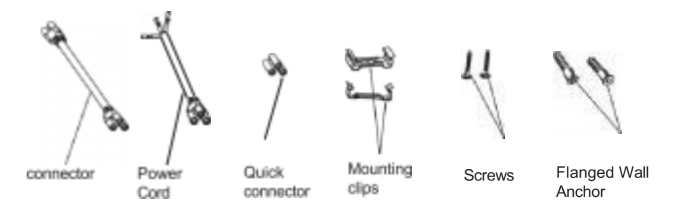
Specifications

CRI	> 80
Power Factor	> 0.9
Beam Angle	110°
THD	< 20%
Operating Temperature	-13°F~+113°F/-25°C~+45°C
Lifespan	Maintains at least 70% light output for up to 50,000 hours

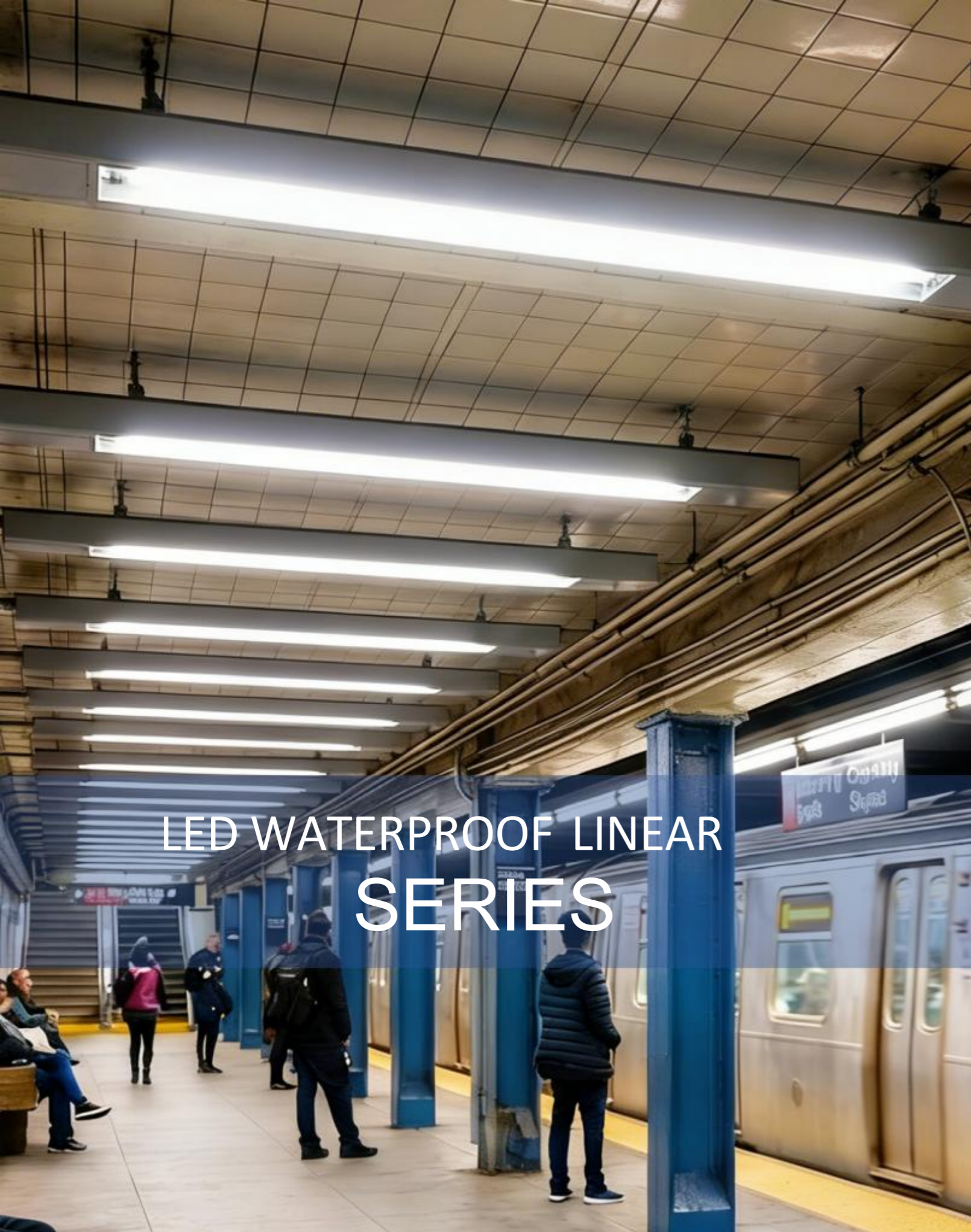
Applications

Shopping malls, offices, showrooms, retail stores, healthcare facilities, and other commercial applications.

Accessories



Model	Input Voltage	Size	Cover	Wattage	CCT	Lumen
HYA-T8INT-2FTX-H-TWCCT(T)	120-277 VAC	2ft	Clear	6/7/8/9/10 W Selectable	3000/3500/4000/ 5000/6500 K Selectable	1300 lm(Max)
HYA-T8INT-2FTX-H-TWCCT(F)		2ft	Frosted			1300 lm(Max)
HYA-T8INT-4FTX-H-TWCCT(T)		4ft	Clear	12/18/24/30/36 W Selectable		4680 lm(Max)
HYA-T8INT-4FTX-H-TWCCT(F)		4ft	Frosted			4680 lm(Max)
HYA-T8INT-8FTX-H-TWCCT(T)		8ft	Clear	36/54/72 W Selectable		9360 lm(Max)
HYA-T8INT-8FTX-H-TWCCT(F)		8ft	Frosted			9360 lm(Max)



# LED WATERPROOF LINEAR SERIES

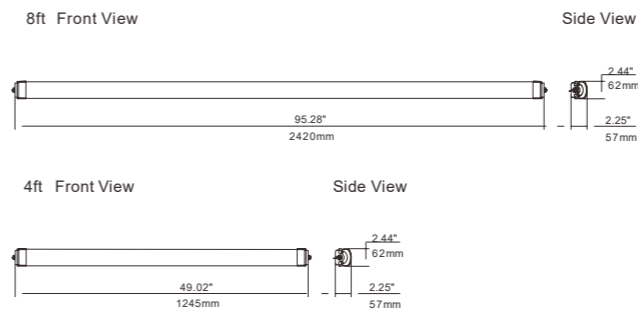
## LED Waterproof Linear Series



### LV401 Series - LED Tri - Proof Light



#### Dimensions



#### Accessories



#### Specifications

CRI	> 80
Power Factor	> 0.9
Beam Angle	110°
THD	< 20%
Operating Temperature	-4°F~+104°F/-20°C~+40°C
Lifespan	Maintains at least 70% light output for up to 50,000 hours

#### Applications

Parking garages, docks, subway station canopies, walk-in refrigerators, and outdoor awnings.

#### Features

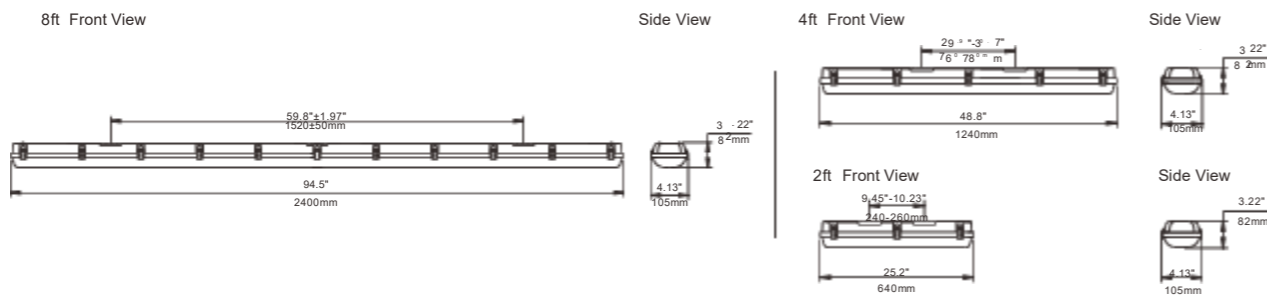
- IP65-rated for watertight and dust-tight protection
- Suitable for wet locations
- Available in 4FT and 8FT
- Features an aluminum housing for effective thermal management and a polycarbonate lens
- Fixtures can be linked for a seamless connection

Model	Input Voltage	Dimming	Size	Wattage	CCT	Lumen
HY-4FT-LV401-32W-CCT	120-277 VAC	0-10 V	4ft	32 W	4000/5000 K Selectable	4160 lm
HY-8FT-LV401-64W-CCT			8ft	64 W		8320 lm

VT Series - LED Vapor Tight



Dimensions



Specifications

CRI	> 80
Power Factor	> 0.9
Beam Angle	120°
THD	< 20%
Operating Temperature	-4°F~+104°F/-20°C~+40°C
Lifespan	Maintains at least 70% light output for up to 50,000 hours

Applications

Parking garages, docks, subway station canopies, walk-in refrigerators, and outdoor awnings.

Features

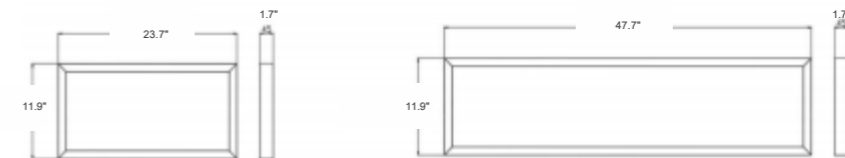
- IP66-rated for watertight and dust-tight protection
- Available in 2FT, 4FT, and 8FT
- PCB with a 4KV withstand voltage rating, and polycarbonate housing with a 5VA-rated fire resistance rating
- Features a full-length, gasketed polycarbonate lens and a single-piece non-corrosive polycarbonate body
- Options include availability with an emergency backup kit or motion sensor
- Backed by a 5-year limited warranty

Model	Input Voltage	Dimming	Size	Wattage	CCT	Lumen
HY-2FT-VT-H-3W3CCT(XX)	120-277 VAC	0-10 V	2 ft	20 W	3000/4000/5000 K Selectable	2600 lm
HY-4FT-VT-H-3W3CCT(XX)			4 ft	20/30/40 W Selectable		2600/3900/5200 lm
HY-8FT-VT-H-3W3CCT(XX)			8 ft	40/60/80 W Selectable		5200/7800/10400 lm

SMDPB Series - LED Surface Mount Panel



Dimensions



Specifications

CRI	> 80
Power Factor	> 0.7
Beam Angle	120°
Operating Temperature	-13°F~+113°F/-25°C~+45°C -4°F~+113°F/-20°C~+45°C
Lifespan	Lumen Maintenance over 70% @ 50,000 hours

Applications

Offices, schools, showrooms, airports, retail stores, healthcare facilities, and other commercial spaces.

Features

- UL & DLC Listed.
- High Performance: Uniform, soft light with high efficacy.
- Easy & Clean Installation: Surface mounts directly to ceiling without extra frame; dustproof structure prevents internal contamination.
- 5-year warranty.

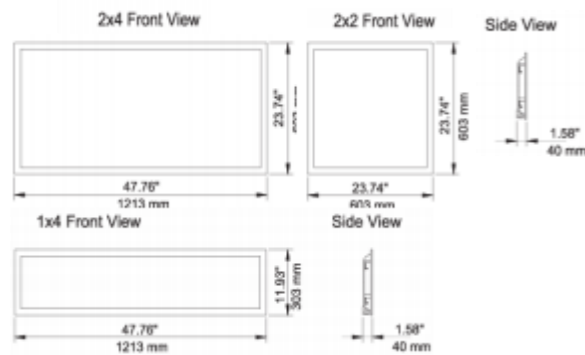
Model	Input Voltage	Dimming	Size	Wattage	CCT	Lumen
HY-SMDPB-30W2FT-3CCT	120 VAC	Triac	1' X 2'	30 W	3000/4000/5000 K Selectable	3750 lm
HY-SMDPB-40W4FT-3CCT	120 VAC	Triac	1' X 4'	40 W		5000 lm
HY-SMDPB1X4-40W-S-TWCCT	120-277 VAC	0-10 V	1' X 4'	20/30/40 W Selectable	3500/4000/5000 K Selectable	2200/3300/4400 lm

**PB2 Series - LED Back-lit Panel Light**

**PB03A Series - LED Architectural Recessed Luminaire**



**Dimensions**



**Applications**

Offices, schools, showrooms, airports, retail stores, healthcare facilities, and other commercial spaces.

**Features**

- UL & DLC Listed. Damp location (for indoor) rated.
- Saves over 50% energy vs. fluorescent fixtures.
- Power and Color Select switches offer 5 lumen outputs and 5 color temps in one unit.
- Quick install in T-grid ceilings; supports surface or suspended mounting.
- Optional plug-and-play motion and daylight sensors for added savings.

**Options**



Emergency Back-up



sensor

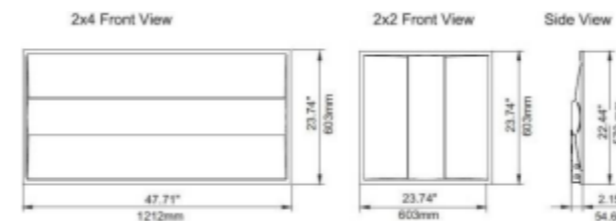
**Specifications**

CRI	> 80
Power Factor	> 0.9
Beam Angle	110°
THD	< 20%
Finish	White
Operating Temperature	-13°F~+113°F/-25°C~+45°C
Lifespan	Lumen Maintenance over 70% @ 50,000 hours

Model	Input Voltage	Dimming	Size	Wattage	CCT	Lumen
HYA-PB2-1X4-40W-H-TWCCT(XX)	120-277 VAC	0-10 V	1' X 4'	20/25/30/35/40 W Selectable	3000/3500/4000/ 5000/6500 K Selectable	5200 lm@40W
HYA-PB2-2x2-40W-H-TWCCT(XX)			2' X 2'	20/25/30/35/40 W Selectable		
HYA-PB2-2X4-72W-H-TWCCT(XX)			2' X 4'	30/40/50/60/72 W Selectable		



**Dimensions**



**Specifications**

CRI	> 80
Power Factor	> 0.9
Beam Angle	110°
THD	< 20%
Finish	White
Operating Temperature	-13°F~+113°F/-25°C~+45°C
Lifespan	Lumen Maintenance over 70% @ 50,000 hours

Model	Input Voltage	Dimming	Size	Wattage	CCT	Lumen
PB03A-2X2P-H-TWCCT	120-277 VAC	0-10 V	2' X 2'	15/20/25/30/40 W Selectable	3000/3500/4000/ 5000/6500 K Selectable	4890 lm@40W
PB03A-2X4P-H-TWCCT			2' X 4'	20/30/40/50/72 W Selectable		10087 lm@72W

**Applications**

Offices, schools, showrooms, airports, retail stores, healthcare facilities, and other commercial spaces.

**Features**

- UL & DLC Listed
- Offers 5 selectable wattages and 5 color temperature options
- Backlit design for uniform, glare-free light distribution
- High luminous efficiency of up to 140 lm/W
- Optional emergency backup kit available
- Suitable for recessed, surface-mounted, or suspended installations

**Options**



Emergency Back-Up



sensor (ANT-7D)

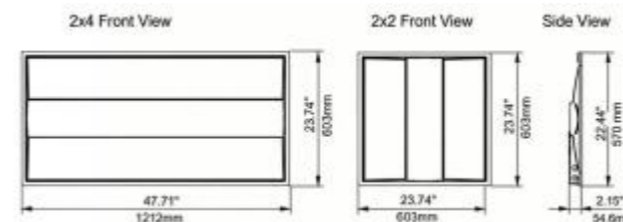
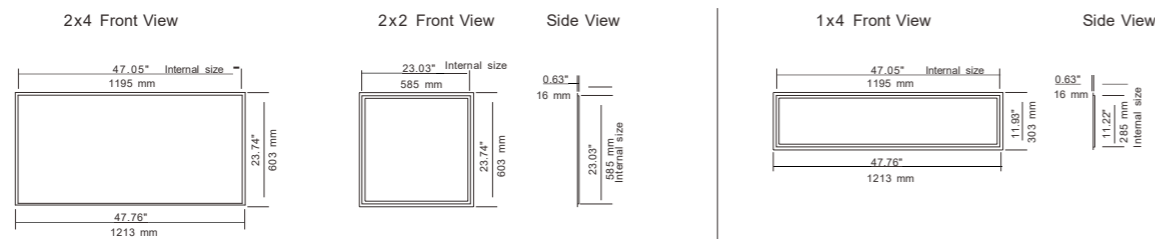
PE Series - LED Frame Light

TRCB02 Series - LED Center Basket Troffer



Dimensions

Dimensions



Specifications

CRI	> 80
Power Factor	> 0.9
Beam Angle	120°
THD	< 20%
Operating Temperature	-4°F~+104°F/-20°C~+40°C
Lifespan	Maintains at least 70% light output for up to 50,000 hours

Applications

Offices, schools, conference rooms, healthcare facilities, and other commercial spaces.

Features

- WATT and CCT Selectable to meet diverse environmental needs
- Modern frame shape offers additional design options
- Low-profile design facilitates easy handling and installation for both retrofit and new construction
- Dimming option available for enhanced energy savings

Model	Input Voltage	Dimming	Size	Wattage	CCT	Lumen
HY-PE-1X4P-3W3CCT	120-277 VAC	0-10 V	1'X4'	20/30/40 W Selectable	3000/4000/5000 K Selectable	2600/3900/5200 lm
HY-PE-2X2P-3W3CCT			2'X2'	20/30/40 W Selectable		2600/3900/5200 lm
HY-PE-2X4P-3W3CCT			2'X4'	30/40/50 W Selectable		3900/5200/6500 lm

Specifications

CRI	> 80
Power Factor	> 0.9
Beam Angle	110°
THD	< 20%
Finish	White
Operating Temperature	-4°F~+113°F/-20°C~+40°C
Lifespan	Lumen Maintenance over 70% @ 50,000 hours

Applications

Offices, schools, retail stores, healthcare facilities, libraries, museums, and other commercial spaces.

Features

- ETL & DLC Listed. IP20 rated for indoor use
- Selectable wattage and CCT to accommodate various environmental requirements
- Low-profile design enables easy handling and installation for both retrofit and new construction applications
- Optional motion sensor and emergency back-up available to meet your additional needs

Options



Emergency Back-up



Motion sensor

Model	Input Voltage	Dimming	Size	Wattage	CCT	Lumen
TRCB02-2X2P-H-TWCCT	120-277 VAC	0-10 V	2' X 2'	15/20/25/30/40 W Selectable	3000/3500/4000/5000/6500 K Selectable	5200 lm@40W
TRCB02-2X4P-H-TWCCT			2' X 4'	20/30/40/50/72 W Selectable		9360 lm@72W



# LED RECESSED DOWNLIGHT SERIES

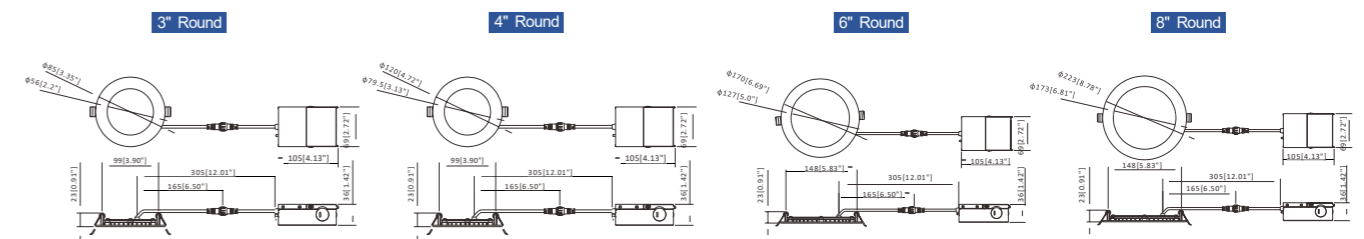
## LED Recessed Downlight Series



### USDL Series - LED Ultra Slim Downlight



#### Dimensions



#### Specifications

CRI	> 80
Power Factor	> 0.9
Beam Angle	110°
THD	< 20%
Operating Temperature	-4°F~+113°F/-20°C~+40°C
Lifespan	Maintains at least 70% light output for up to 50,000 hours

#### Features

- The aluminum die-cast outer frame is coated with a durable powder finish to prevent rust.
- CCT tunable: Choose between 2700K, 3000K, and 3500K or 3000K, 4000K, and 5000K using the switch on the driver.
- No housing required
- Edge-lit LED technology utilizes a light-guided plate for optimal light distribution, while the polycarbonate lens ensures even lighting.
- ETL and Energy Star Listed
- 5-year limited warranty

#### Applications

Living room, bedroom, office, lobbies, conference room and more residential and commercial applications.

#### Options



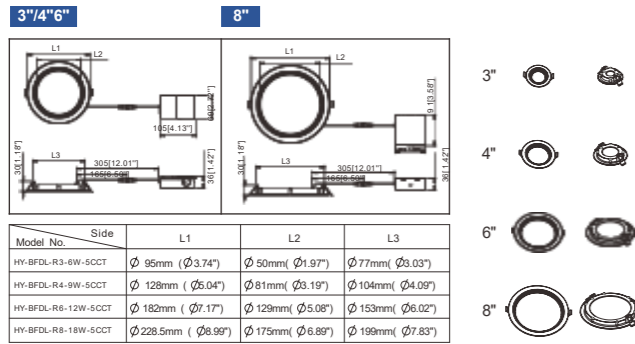
New Construction Plate with Hanger Bar

Model	Input Voltage	Dimming	Size	Power	CCT	Lumen
HY-USDL-R3-6W-5CCT	120 VAC	Triac	3"	6 W	2700/3000/3500/ 4000/5000 K Selectable	420 lm
HY-USDL-R4-9W-5CCT			4"	9 W		830 lm
HY-USDL-R6-12W-5CCT			6"	12 W		1070 lm
HY-USDL-R8-18W-5CCT	120-277 VAC	0-10 V	8"	18 W		1500 lm

**BFDL Series - LED Baffle Downlight**



**Dimensions**



**Specifications**

CRI	> 90
Power Factor	> 0.9
Beam Angle	110°
THD	< 20%
Can Rating	Type IC
Operating Temperature	-4°F~+104°F/-20°C~+40°C
Lifespan	Maintains at least 70% light output for up to 50,000 hours

**Applications**

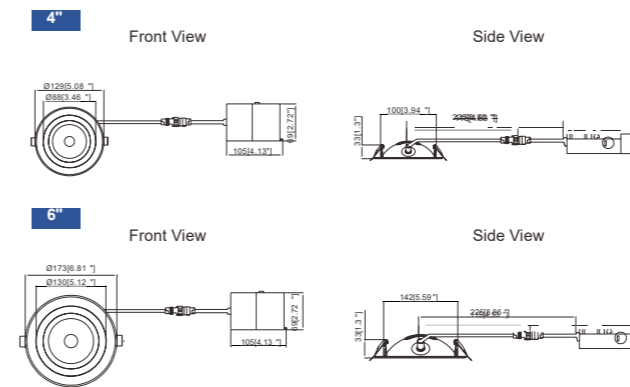
Living rooms, bedrooms, offices, lobbies, conference rooms, and other residential and commercial spaces.

Model	Input Voltage	Dimming	Size	Wattage	CCT	Lumen
HY-BFDL-R3-6W-SCCT	120 VAC	Traic Dimming	Round 3"	6 W	2700/3000/3500/ 4000/5000 K Selectable	440 lm
HY-BFDL-R4-9W-SCCT		Traic Dimming	Round 4"	9 W		720 lm
HY-BFDL-R6-12W-SCCT		Traic Dimming	Round 6"	12 W		880 lm
HY-BFDL-R8-18W-SCCT	0-10 V Dimmable	Round 8"	18 W	1420 lm		
HY-BFDL-S3-6W-SCCT	120 VAC	Traic Dimming	Round 3"	6 W		430 lm
HY-BFDL-S4-9W-SCCT		Traic Dimming	Round 4"	9 W		710 lm
HY-BFDL-S6-12W-SCCT		Traic Dimming	Round 6"	12 W	950 lm	
HY-BFDL-S8-18W-SCCT	120-277 VAC	0-10 V Dimmable	Round 8"	18 W	1400 lm	

**UADL Series - LED Gimbal Downlight**



**Dimensions**



**Specifications**

CRI	> 90
Power Factor	> 0.9
Beam Angle	30°
THD	< 20%
Finish	White
Operating Temperature	-4°F~+104°F/-20°C~+40°C
Lifespan	Lumen Maintenance over 70% @ 50,000+ hours

Model	Input Voltage	Dimming	Size	Wattage	CCT	Lumen
HY-UADL-R4-9W-SCCT	120 VAC	Triac	4"	9 W	2700/3000/3500/ 4000/5000 K Selectable	720 lm
HY-UADL-R6-12W-SCCT			6"	12 W		960 lm

**Applications**

Retail stores, art galleries, offices, conference rooms, hotels, residential spaces, restaurants, showrooms, theaters, event spaces.

**Options**



New construction plate

**Features**

- Remote driver to eliminate the need for an extra housing
- Adjustable with a gimbal that pivots 360 degrees on a hinge
- Features a 5-CCT selectable switch allows you to choose between different color temperatures from 2700 / 3000 / 3500 / 4000 / 5000K

**AGDL Series - LED J-Box Integrated Downlight**

**RPDL Series- LED Downlight Retrofit Kit**



**Dimensions**



Model	Diameter 1	Diameter 2	Height
HY-AGDL-R4X-TWCCT	5.51 in	2.95 in	3.46 in
HY-AGDL-R6X-TWCCT	7.4 in	3.54 in	3.46 in

**Specifications**

CRI	> 90
Power Factor	> 0.9
Beam Angle	120°
THD	< 20%
Finish	White
Can Rating	Type IC
Operating Temperature	-13°F~+113°F/-25°C~+45°C
Lifespan	Maintains at least 70% light output for up to 50,000 hours

**Applications**

Offices, lobbies, conference rooms, schools, retail stores, living rooms, bedrooms, drawing rooms, and other residential and commercial applications.

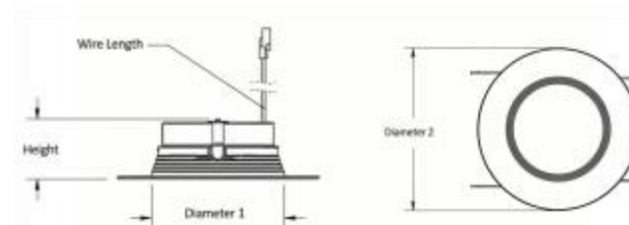
**Features**

The AGDL series delivers high performance and long-lasting durability, featuring a precision-spun aluminum body and a stepped inner wall with a frosted diffuser for comfortable, efficient illumination.

- Dual Anti-Glare Design: Stepped inner wall and frosted diffuser reduce glare for eye-friendly lighting.
- Peace of Mind: Backed by a 5-year limited warranty

Model	Input Voltage	Dimming	Size	Wattage	CCT	Lumen
HY-AGDL-R4X-TWCCT	120 VAC	Triac	4"	10 W	2700/3000/3500/ 4000/5000 K Selectable	860 lm
HY-AGDL-R6X-TWCCT			6"	15 W		1300 lm

**Dimensions**



Mode	Diameter 2	Diameter 1	Height	Wire Length
HY-RPDL-R4X-TWCCT	5.51 in	2.95 in	3.25 in	5.31 in
HY-RPDL R6X TWCCT	7.4 in	3.54 in	3.25 in	5.31 in

**Specifications**

CRI	> 90
Power Factor	> 0.9
Beam Angle	120°
THD	< 20%
Finish	White
Can Rating	Type IC
Operating Temperature	-13°F~+113°F/-25°C~+45°C
Lifespan	Lumen Maintenance over 70% @ 50,000+ hours

**Applications**

Offices, lobbies, conference rooms, schools, retail stores, living rooms, bedrooms, drawing rooms, and other residential and commercial applications.

**Features**

The RPDL is crafted from premium aluminum using a precision spinning process, providing high strength and excellent heat dissipation for long-lasting performance. Its stepped inner wall paired with a frosted diffuser ensures soft, uniform illumination for a comfortable lighting experience.

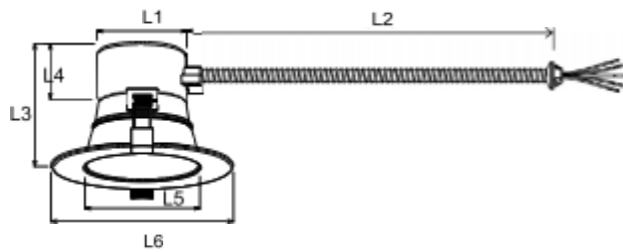
- Versatile Lighting Options: Adjustable color temperatures to suit different environments.
- Durable Design: Built to maintain performance over time with robust construction.

Model	Input Voltage	Dimming	Size	Finish	Wattage	CCT	Lumen
HY-RPDL-R4X-TWCCT	120-277 VAC	Triac	4"	White	10 W	2700/3000/3500/ 4000/5000 K Selectable	860 lm
HY-RPDL-R6X-TWCCT			6"		15 W		1300 lm

**CDL Series - LED Commercial Downlight**



**Dimensions**



Model NO	Side	L1	L2	L3	L4	L5	L6	Cutout Size
HY CDL04 16W TWCCT		2.95"	17.72"	4.06"	1.85"	3.78"	6.02"	3.81"
HY CDL06 30W TWCCT		4.25"	17.72"	4.84"	1.69"	5.94"	8.27"	5.94"
HY CDL08 35W TWCCT		4.25"	17.72"	5.31"	1.69"	7.76"	10.24"	7.75"
HY CDL10 40W TWCCT		4.25"	17.72"	5.94"	1.69"	8.78"	11.50"	8.75"

**Specifications**

CRI	> 80
Power Factor	> 0.9
Beam Angle	4", 6": 80° / 8", 10": 90°
THD	< 20%
Finish	White
Operating Temperature	-4°F~+104°F/-20°C~+40°C
Lifespan	Maintains at least 70% light output for up to 50,000 hours

**Applications**

Offices, lobbies, conference rooms, schools, retail stores, living rooms, bedrooms, and other residential and commercial applications.

**Features**

- Versatile & Customizable: Available in 4", 6", 8", and 10" sizes to accommodate diverse installation needs, with 5 selectable wattages, 5 CCT options via dip switch, and 3-in-1 dimming-one fixture meets multiple application requirements.
- High Performance & Visual Comfort: Produces 100-120lm/W with a flicker-free driver, ensuring stable, energy efficient, and comfortable illumination.
- Durable & Refined Design: Features an integrated lamp body with smooth trim for a clean, elegant look; Type IC rated and Wet Location listed for reliable, long-lasting performance.

Model	Input Voltage	Dimming	Size	Wattage	CCT	Lumen
HY-CDL04-16W -TWCCT	120-277 VAC	3 in 1 Dimming(0-10 V Dimmable@120-277 V; TriacDimmable@120 V; ELVDimmable@120 V)	4"	8/10/14/16 W Selectable	2700/3000/3500/4000/5000 K Selectable	1700 lm @ 16 W
HY-CDL06-30W -TWCCT			6"	15/18/22/26/30 W Selectable		3100 lm @ 30 W
HY-CDL08-35W -TWCCT			8"	15/20/25/30/35 W Selectable		4200 lm @ 35 W
HY-CDL10-40W -TWCCT			10"	20/25/30/35/40 W Selectable		4500 lm @ 40 W

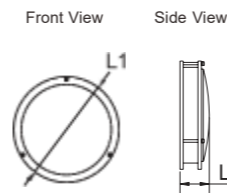
**DR Series - LED Double Ring Flush Mount (AC120V)**



**Emergency Backup**



**Dimensions**



Model No.	HY-DR12-16WCCT	HY-DR14-22WCCT	HY-DR16-26WCCT	HY-DR12-16WCCT-MS	HY-DR12-16WCCT(EM)	HY-DR14-22WCCT(EM)	HY-DR16-26WCCT(EM)
L1	φ305mm/φ12"	φ355mm/φ14"	φ405mm/φ16"	φ305mm/φ12"	φ305mm/φ12"	φ355mm/φ14"	φ405mm/φ16"
L2	65mm/2.56"	75mm/2.95"	85mm/3.35"	65mm/2.56"	104mm/4.09"	114mm/4.49"	124mm/4.89"

**Specifications**

CRI	> 80
Power Factor	> 0.9
Beam Angle	110°-120°
THD	< 20%
Operating Temperature	5°F~+104°F/-15°C~+40°C 13°F~+113°F/-25°C~+45°C
Lifespan	Maintains at least 70% light output for up to 50,000 hours

**Applications**

Residential spaces, offices, hallways, utility rooms, and commercial environments such as hotel rooms.

**Features**

- ETL Listed, IP20 rated for reliable indoor use
- Selectable wattage and CCT to suit a variety of applications
- Stainless steel body with high-transmittance polycarbonate diffuser for durability and uniform light output
- High luminous efficiency, backed by a 5-year limited warranty

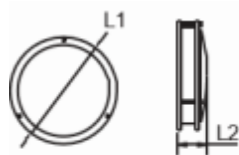
Model	Input Voltage	Dimming	Size	Wattage	CCT	Lumen
HY-DR12-16WCCT	120 VAC	Triac	12"	16 W	2700/3000/3500/4000/5000 K Selectable	1450 lm
HY-DR14-22WCCT			14"	22 W		1850 lm
HY-DR16-26WCCT			16"	26 W		2200 lm

DR Series - LED Double Ring Flush Mount (AC120-277V)



Dimensions

Front view      side view





Model No.	HY-DR12-16WCCT(MS) HY-DR12-16WCCT(MS+MS)	HY-DR14-22WCCT(MS) HY-DR14-22WCCT(MS+MS)	HY-DR16-26WCCT(MS) HY-DR16-26WCCT(MS+MS)
L1	φ305mm/12"	φ355mm/14"	φ405mm/16"
L2	104mm/4.09"	114mm/4.49"	124mm/4.89"

Specifications

CRI	> 80
Power Factor	> 0.9
Beam Angle	120°
THD	< 20%
Operating Temperature	-13°F~+113°F/-25°C~+45°C
Lifespan	Maintains at least 70% light output for up to 50,000 hours

Options

	ANT-1M-5T(Bi-level Daylight Harvesting Microwave Sensor)
	Emergency Backup

Model	Input Voltage	Dimming	Size	Wattage	CCT	Lumen
HY-DR12-16WCCT(MS)	120-277 VAC	0-10 V	12"	16 W	2700/3000/3500/ 4000/5000 K Selectable	1600 lm
HY-DR14-22WCCT(MS)			14"	22 W		2200 lm
HY-DR16-26W-CCT(MS)			16"	26 W		2600 lm
HY-DR12-16WCCT(MS+EM)			12"	16 W		1600 lm
HY-DR14-22WCCT(MS+EM)			14"	22 W		2200 lm
HY-DR16-26WCCT(MS+EM)			16"	26 W		2600 lm

Applications

Drawing rooms, bedrooms, corridors, and administrative offices.

Features

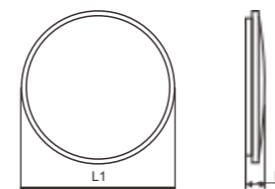
- Versatile LED double ring flush mount design for a wide range of indoor applications
- Tunable white light (2700K-3000K-3500K-4000K-5000K) to adapt to different environments
- 0-10V dimming for smooth and precise light control
- High luminous efficiency with excellent color rendering
- Available with Bi-Level Motion Sensor or Bi-Level Motion Sensor + Emergency Driver options
- Stainless steel body with polycarbonate diffuser, backed by a 5-year limited warranty

FM Series - LED Single Ring Flush Mount Ceiling Light



Dimensions

Front View      Side View



Model No.	HY-FM13-16WCCT-NK HY-FM13-16WCCT-BK HY-FM13-16WCCT-GD	HY-FM15-22WCCT-NK HY-FM15-22WCCT-BK HY-FM15-22WCCT-GD	HY-FM20-26WCCT-NK HY-FM20-26WCCT-BK
L1	φ330mm/12.99"	φ390mm/15.35"	φ490mm/19.29"
L2	65mm/2.56"	65mm/2.56"	65mm/2.56"

Specifications

CRI	> 80
Lens	White acrylic
Beam Angle	120°
Finish	NK: Brushed nickle / BK: Matt black / GD: Brushed gold
Operating Temperature	-4°F~+113°F/-20°C~+45°C
Life Span	Maintains at least 70% light output for up to 50,000 hours

Applications

Residential rooms, bedrooms, living rooms, kitchens, offices, corridors, hallways, retail stores, hotels, and conference rooms.

Features

- Classically designed for a sleek appearance
- Boasts low maintenance and energy-saving advantages
- Robust mounting assembly ensures fixture stability
- Equipped with a 5-CCT selectable switch, allowing you to customize the color temperature from 2700/3000/3500/4000/5000K
- Backed by a 5-year limited warranty

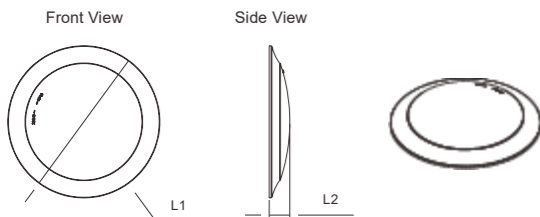
Model	Input Voltage	Dimming	Size	Wattage	CCT	Lumen
HY-FM13-16WCCT-XX	120 VAC	Triac	13"	16 W	2700/3000/3500/ 4000/5000 K Selectable	1280 lm
HY-FM15-22WCCT-XX			15"	22 W		1760 lm
HY-FM20-26WCCT-XX			20"	26 W		2080 lm

DSL Series - LED Disk Light

SMD Series - LED Surface Mount Light



Dimensions



Side	Model No.	HY-DSL-R4-10W-3CCT	HY-DSL-R6-15W-3CCT
L1		φ150mm/φ5.9"	φ185mm/φ7.28"
L2		25mm/0.98"	25mm/0.98"

Specifications

CRI	> 80
Power Factor	> 0.9
Beam Angle	120°
THD	< 20%
Finish	White
Operating Temperature	-4°F~+104°F/-20°C~+40°C
Lifespan	Maintains at least 70% light output for up to 50,000 hours

Applications

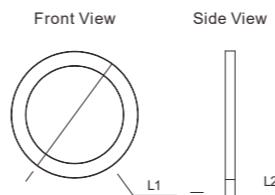
Living rooms, bedrooms, corridors, and administrative offices.

Features

- Tunable color temperature: 3000K/4000K/5000K
- Diffuser: High light-transmittance polycarbonate
- Performance: High luminous efficiency with excellent color quality
- Installation: Integrated flush mount for easy installation into most standard junction boxes
- Warranty: 5-year limited warranty

Model	Input Voltage	Dimming	Size	Finish	Wattage	CCT	Lumen
HY-DSL-R4-10W-3CCT	120 VAC	Triac	4"	White	10W	3000/4000/5000 K Selectable	650 lm
HY-DSL-R6-15W-3CCT			6"		15W		1000 lm

Dimensions



Side	Model No.	HY-SMD-R5-10W-3CCT	HY-SMD-R7-15W-3CCT	HY-SMD-R9-18W-3CCT	HY-SMD-R12-24W-3CCT
L1		φ140mm/φ5.51"	φ180mm/φ7.09"	φ225mm/φ8.86"	φ305mm/φ12.01"
L2		18mm/0.71"	18mm/0.71"	18mm/0.71"	18mm/0.71"

Specifications

CRI	> 80
Power Factor	> 0.9
Beam Angle	120°
THD	< 20%
Finish	White
Operating Temperature	-4°F~+104°F/-20°C~+40°C
Lifespan	Maintains at least 70% light output for up to 50,000 hours

Applications

Residential, offices, hallways, utility Rooms, commercial spaces (e.g., hotel Rooms).

Features

- Body: Constructed from engineering-grade polycarbonate, resistant to aging and discoloration
- Diffuser: High light-transmittance polycarbonate for uniform illumination
- Design: Ultra-thin, sleek LED downlight with smooth white trim
- Lighting: Field-adjustable CCT for residential or commercial environments
- Installation: Easy surface-mount installation on most round or octagon junction boxes

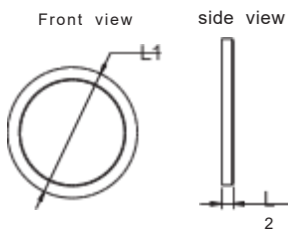
Model	Input Voltage	Dimming	Size	Wattage	CCT	Lumen
HY-SMD-R5-10W-CCT	120 VAC	Triac	5"	10 W	3000/4000/5000 K Selectable	650 lm
HY-SMD-R7-15W-CCT			7"	15 W		1000 lm
HY-SMD-R9-18W-CCT			9"	18 W		1200 lm
HY-SMD-R12-24W-CCT			12"	24 W		1800 lm

**SMD(MS) Series - LED Surface Mount Downlight With Motion Sensor**

**WPCL Series - LED Waterproof Ceiling Light**



**Dimensions**



size	Mode NO	SMD-R5-10W-CCT(MS)	SMD-R7-15W-CCT(MS)
L1		Φ146mm/Φ5.75u	Φ186mm/Φ7.32"
L2		23mm/0.91"	23mm/0.91"

**Specifications**

CRI	> 80
Power Factor	> 0.9
Beam Angle	120°
THD	< 20%
Operating Temperature	-13°F~+113°F/-25°C~+45°C
Lifespan	Maintains at least 70% light output for up to 50,000 hours

**Applications**

Living rooms, bedrooms, hallways, administration offices, and commercial spaces.

Model	Input Voltage	Dimming	Size	Finish	Wattage	CCT	Lumen
HY-SMD-R5-10W-CCT(MS)	120 VAC	Triac	5"	White	10 W	2700/3000/3500/ 4000/5000 K Selectable	830 lm
HY-SMD-R7-15W-CCT(MS)			7"		15 W		1250 lm

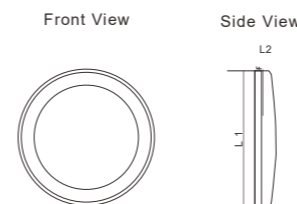
**Features**

- Safe, high-performance construction with flame-retardant PC housing(FV-0)and optical-grade, high-transparency acrylic for bright, reliable illumination.
- Flexible lighting control featuring five selectable color temperatures via DIP switches, with adjustable power and color output.
- Smart and adaptable options, including built-in motion and ambient light sensors, 5" and 7" size availability, and an optional emergency base providing 90+ minutes of backup lighting

**Options**



**Dimensions**



Model No.	HY-WPCL8-12W-3CCT	HY-WPCL12-18W-3CCT	HY-WPCL16-24W-3CCT
L1	Φ200mm/Φ7.87"	Φ300mm/Φ11.81"	Φ400mm/Φ15.75"
L2	51mm/2"	56mm/2.2"	56mm/2.2"

**Specifications**

CRI	> 80
Power Factor	> 0.9
Beam Angle	120°
THD	< 20%
Operating Temperature	-4°F~+104°F/-20°C~+40°C
Lifespan	Maintains at least 70% light output for up to 50,000 hours

**Applications**

Drawing rooms, bedrooms, corridors, and administrative offices.

**Features**

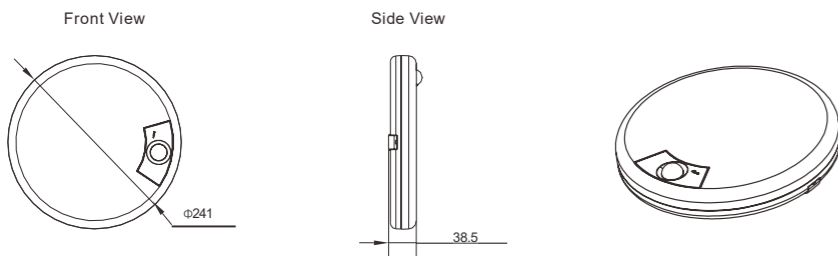
- Material: Constructed with polycarbonate engineering plastic, resistant to aging and discoloration
- Diffusers: High light transmittance polycarbonate, ensuring high luminous efficiency and good color
- Tunable Color Temperature: 3000 / 4000 / 5000K
- IP65-rated, providing water-tight and dust-tight protection
- Triac dimming capability for the LED fixture
- 5-year limited warranty

Model	Input Voltage	Dimming	Size	Finish	Wattage	CCT	Lumen
HY-WPCL8-12W3CCT	120 VAC	Triac	8"	White	12 W	3000/4000/5000 K Selectable	960 lm
HY-WPCL12-18W3CCT			12"		18 W		1440 lm
HY-WPCL16-24W3CCT			16"		24 W		1920 lm

**FM12 Series - LED PIR Motion Sensing Ceiling Light**



**Dimensions**



**Specifications**

CRI	> 80
Power Factor	> 0.9
Beam Angle	120°
THD	< 20%
Operating Temperature	-4°F~+104°F/-25°C~+40°C
Lifespan	Maintains at least 70% light output for up to 50,000 hours

**Applications**

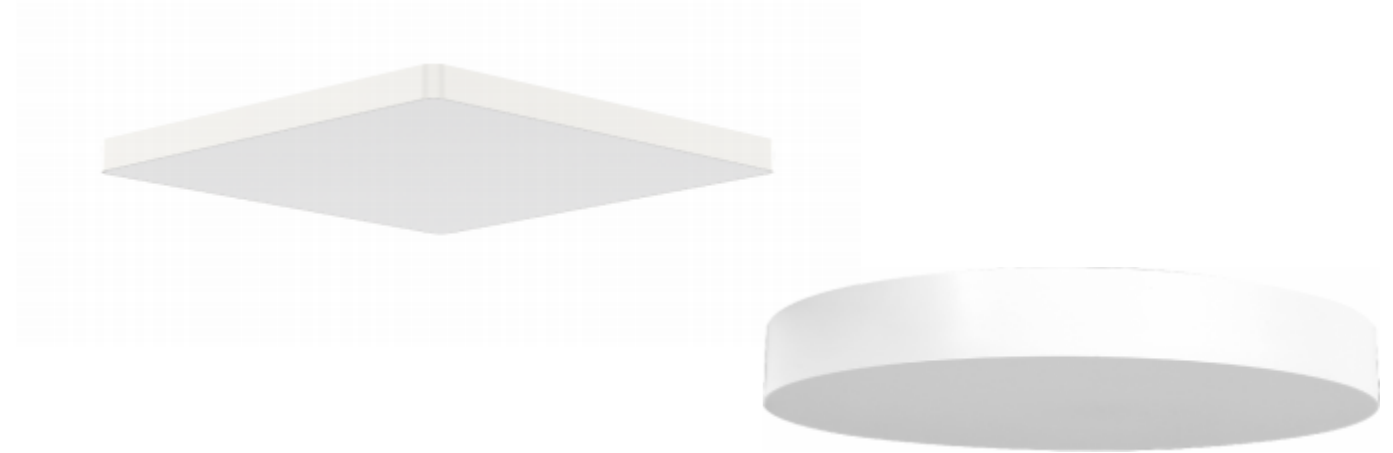
Residential garages, basements, closets, and offices.

**Features**

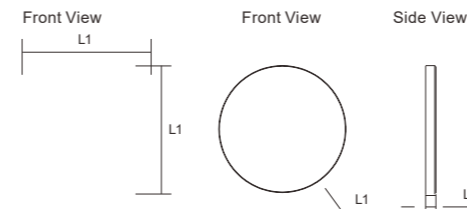
- Infrared motion sensing automatically turns the light on when movement is detected
- Dual mode selection (Day & Night) for flexible use
- Night mode activates only in darkness, turning on when motion enters the sensor zone.

Model	Input Voltage	Dimming	Size	Wattage	CCT	Lumen
HY-FM12-20W-MS-XXX	120 VAC	Triac	10"	20 W	5000 K	1600 lm

**TLSM Series - LED Trimless Downlight**



**Dimensions**



Model No.	HY-TLSM-R5-10W-5CCT	HY-TLSM-R7-15W-5CCT	HY-TLSM-R9-18W-5CCT
L1	φ122mm/φ4.8"	φ 172mm/φ6.77"	φ 223mm/φ 8.74"
L2	21.5mm/0.85"	21.5mm/0.85"	21.5mm/0.85"

Model No.	HY-TLSM-S12-24W-5CCT	HY-TLSM-R12-24W-5CCT
L1	φ 303mm/φ 11.93"	φ 303mm/φ11.93"
L2	35.5mm/1.40"	35.5mm/1.40"

**Specifications**

CRI	> 80
Beam Angle	180°
THD	< 20%
Operating Temperature	-13°F~+113°F/-25°C~+45°C
Lifespan	Maintains at least 70% light output for up to 50,000 hours

**Applications**

Drawing rooms, bedrooms, corridors, and administrative offices.

**Features**

- Certified & Adjustable Performance: ETL & Energy Star listed with tunable color temperatures (2700K-3000K-3500K-4000K-5000K) and Triac dimming for smooth, customizable lighting.
- Durable, High-Quality Construction: Premium polycarbonate housing resists aging and discoloration, paired with a high-transmittance diffuser for bright, even light.
- Reliable Light Output & Support: High luminous efficacy with excellent color rendering, backed by a 5-year limited warranty.

Model	Input Voltage	Dimming	Size	Wattage	CCT	Lumen
HY-TLSM-R5-10W-5CCT	120 VAC	Triac	5" Round	10 W	2700/3000/3500 4000/5000 K Selectable	650 lm
HY-TLSM-R7-15W-5CCT			7" Round	15 W		945 lm
HY-TLSM-R9-18W-5CCT			9" Round	18 W		1120 lm
HY-TLSM-R12-24W-5CCT			12" Round	24 W		1650 lm
HY-TLSM-S12-24W-5CCT			12" Square	24 W		1650 lm

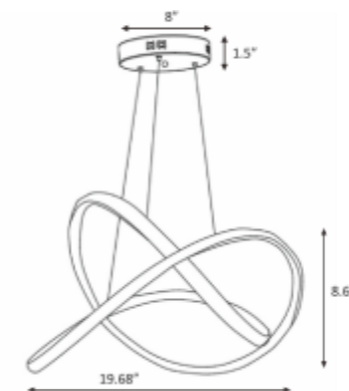
PD2219 Series - LED Swirl Shape Pendant



LED PENDANT LIGHT  
SERIES



Dimensions



Applications

Dining rooms, kitchen islands, stairwells, and other residential or commercial pendant lighting.

Specifications

CRI	>80
Operating Temp	-32°F~+113°F/-0°C+45°C
Pendant Cable Length	Max at 5FT
Finish	Chrome
Environment Location	Damp Location
Life Span	Lumen Maintenance over 70% @ 50,000+ Hours

Features

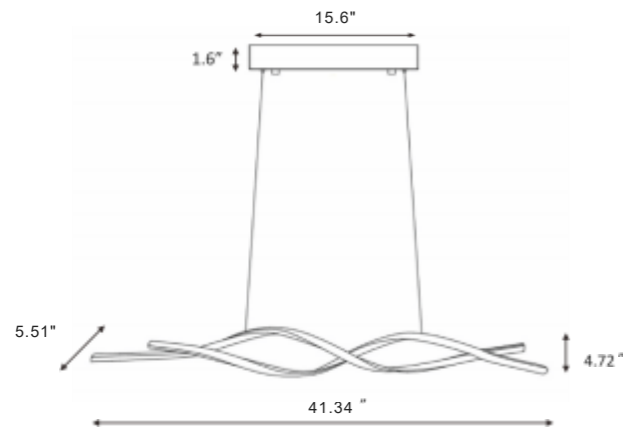
- Frosted extruded diffuser creates even illumination
- CCT Selectable to meet different environmental needs
- 10%-100% triac dimmable
- Aluminum body with flexible composite diffuser
- 5-year limited warranty
- Damp location listed

Model	Input Voltage	Dimming	Wattage	CCT	Lumen
HY-PD2219-30W-3CCT-CR	120 VAC	Triac	30 W	3000/4000/5000 K Selectable	2600 lm

PD4006 Series - LED Linear Wave Pendant



Dimensions



Specifications

CRI	>80
Finish	Chrome
Pendant Cable Length	Max at 5FT
Operating Temperature	-32°F~+113°F/-0°C+45°C
Environment Location	Damp locat i on
Life Span	Lumen maintenance over 70% @ 50,000+ Hours

Applications

Dining rooms, kitchen islands, stairwells, and other residential or commercial pendant lighting.

Features

- Frosted extruded diffuser creates even illumination
- CCT selectable to meet different enviromental needs
- 10%-100% traic dimmable
- Aluminum body with flexible composite diffuser
- 5-year limited warranty
- Damp location listed

Model	Input Voltage	Dimming	Wattage	CCT	Lumen
HY-PD4006-35W-3CCT-CR	120 VAC	Triac	35 W	3000/4000/5000 K Selectable	2975 lm

CYL Series - LED Pendant Cylinder Light



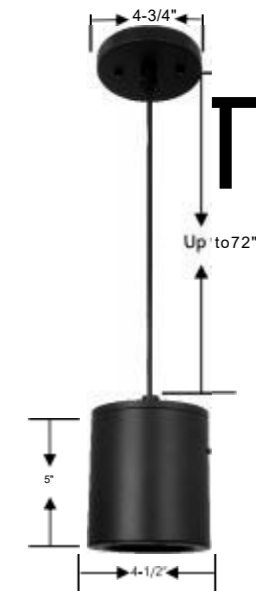
Features

Offers versatile lighting with 3CCTs, creating the perfect ambiance for various settings  
Damp Location Listed for added reliability in moisture-prone areas.  
Offers two installation methods: pendant and flush mount for flexible placement.

Applications

Dining rooms, kitchen islands, stairwells, and other residential or commercial pendant lighting applications.

Dimensions



Specifications

CRI	> 80
Power Factor	> 0.9
Beam Angle	120°
THD	< 20%
Materials	Blask & Opal Acrylic
Finishing	Black Matte
Pendant Cable Length	Up to 6FT
Operating Temperature	-4°F~+104°F/-20°C~+40°C
Lifespan	Maintains at least 70% light output for up to 50,000 hours

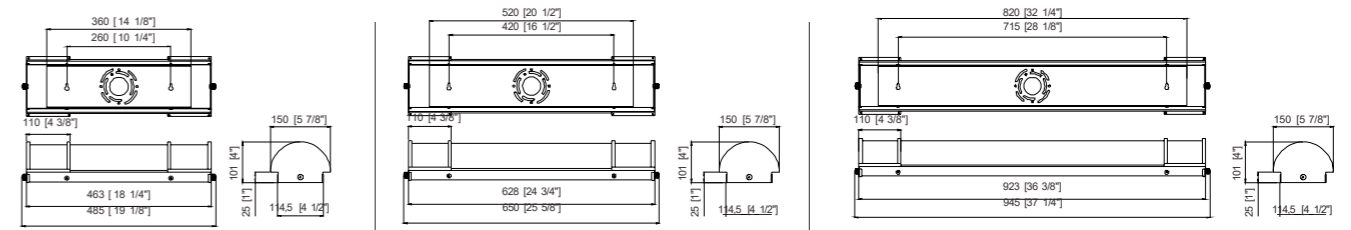
Model	Input Voltage	Dimming	Wattage	CCT	Lumen
HYA-CYL-6IN3CCT-BK	120 VAC	Triac	15 W	3000/4000/5000 K Selectable	1000 lm



# LED VANITY LIGHT SERIES



## Dimensions



## Specifications

CRI	> 80
Power Factor	> 0.9
Beam Angle	120°
THD	< 20%
Finish	Brushed Nickel
Operating Temperature	-4°F~+104°F/-20°C~+40°C
Lifespan	Maintains at least 70% light output for up to 50,000 hours

## Applications

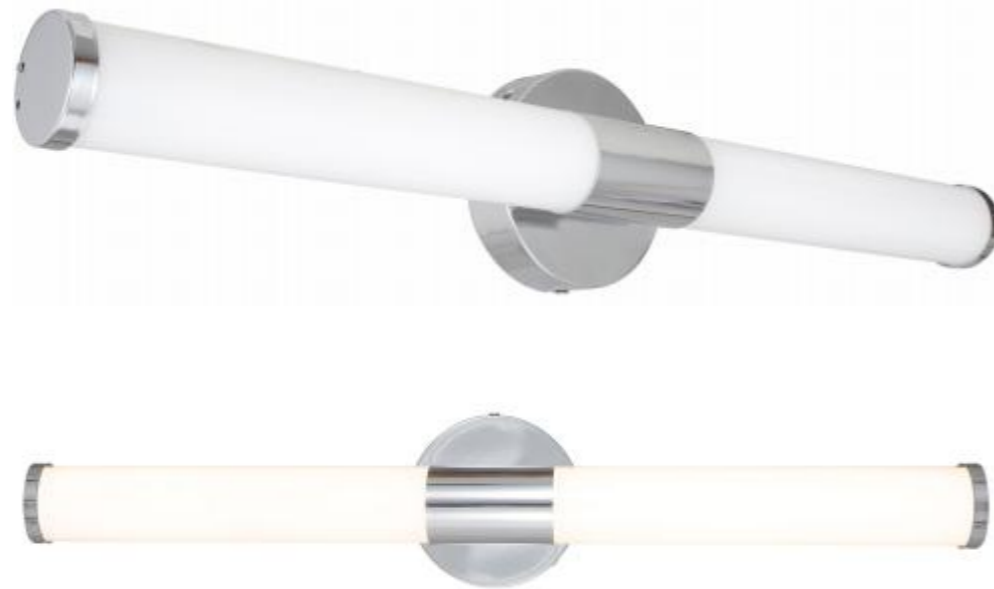
Bathroom spaces, powder rooms, vanity areas, dressing rooms, and as supplemental lighting or an alternative to ceiling surface mount lighting in select applications.

## Features

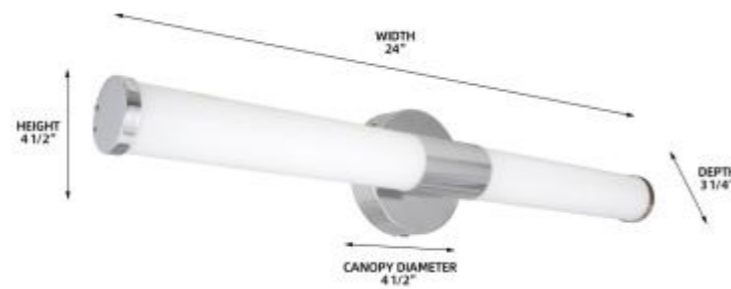
- Sleek, modern and contemporary design
- Durable metal construction is built for long product life and opal acrylic shade creates a beautiful glow when illuminated
- Damp location rated
- CCT selectable by dip switch
- Smooth dimming capabilities ranging from 10% to 100%
- Quick and easy installation, suitable for both vertical and horizontal mounting

Model	Input Voltage	Dimming	Size	Wattage	CCT	Lumen
HYA-VL01-18IN20W-CCT-NK	120 VAC	Triac	18"	20 W	3000/4000/5000 K Selectable	1400 lm
HYA-VL01-24IN25W-CCT-NK			24"	25 W		1750 lm
HYA-VL01-36IN30W-CCT-NK			36"	30 W		2100 lm

**VL02 Series - LED Vanity Liner Light**



**Dimensions**



**Specifications**

CRI	> 80
Power Factor	> 0.9
Beam Angle	120°
THD	< 20%
IP Rating	Ip44
Operating Temperature	-4°F~+104°F/-20°C~+40°C
Lifespan	Maintains at least 70% light output for up to 50,000 hours

**Applications**

Bathroom spaces, powder rooms, vanity areas, dressing rooms, and as supplemental lighting or an alternative to ceiling surface mount lighting in select applications.

**Features**

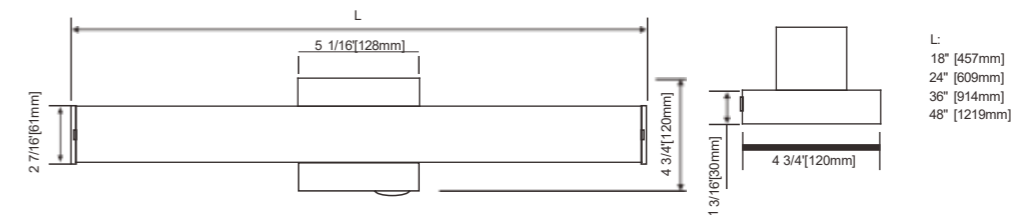
- Powered by DC25W with an input voltage of 120V and a power factor greater than 0.9 for optimal energy efficiency.
- Selectable 3 color temperatures(3000K, 4000K, 5000K)with a120° beam angle, providing versatile lighting to suit different environments.
- Rated for damp locations, ensuring reliability even in moisture-prone areas.

Model	Input Voltage	Dimming	Size	Wattage	CCT	Lumen
HYA-VL02-24IN25W-CCT-NK	120 VAC	Triac	24"	25 W	3000/4000/5000 K Selectable	1900 lm

**VL03 Series - LED Vanity Liner Light**



**Dimensions**



**Specifications**

CRI	90
Material	PC housing with SPCC steel backplate
THD	< 20%
IP Rating	Damp Location Rated
Operating Temperature	-4°F~+104°F/-20°C~+40°C
Lifespan	Maintains at least 70% light output for up to 50,000 hours

**Applications**

Bathroom spaces, powder rooms, vanity areas, dressing rooms, and as supplemental lighting or an alternative to ceiling surface mount lighting in select applications.

**Features**

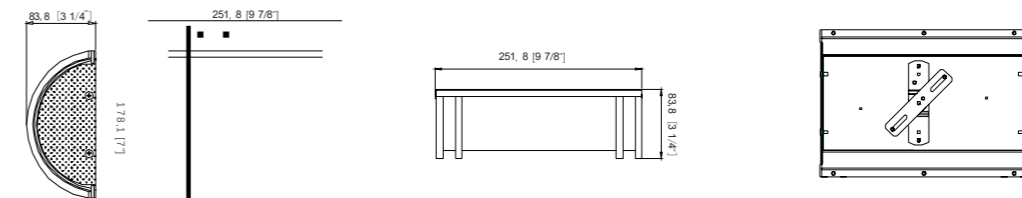
- Available in popular finishes: Nickel and Black-ideal for both renovations and new construction projects.
- Versatile installation: can be mounted vertically on the sides or horizontally above a mirror.
- Five selectable CCTs: 2700K, 3000K, 3500 K, 4000 K, and 5000K.
- Compatible with 120-277V AC power supply; dimmable via Triac at 120V.
- Suitable for damp locations.

Model	Input Voltage	Dimming	Size	Finish	Wattage	CCT	Lumen
HYA-VL03-18IN13W-CCT-NK	120-277 VAC	Triac@120 V	18"	Nickel	13 W	2700/3000/3500 /4000/5000 K Selectable	1200-1350 lm
HYA-VL03-24IN18W-CCT-NK			24"	Nickel	18 W		1700-1850 lm
HYA-VL03-36IN25W-CCT-NK			36"	Nickel	25 W		2300-2550 lm
HYA-VL03-48IN32W-CCT-NK			48"	Nickel	32 W		3000-3250 lm
HYA-VL03-18IN13W-CCT-BK			18"	Black	13 W		1200-1350 lm
HYA-VL03-24IN18W-CCT-BK			24"	Black	18 W		1700-1850 lm
HYA-VL03-36IN25W-CCT-BK			36"	Black	25 W		2300-2550 lm
HYA-VL03-48IN32W-CCT-BK			48"	Black	32 W		3000-3250 lm

WS01 Series - LED Wall Sconce



Dimensions



LED INDOOR WALL SCONCE  
SERIES

Specifications

CRI	> 80
Power Factor	> 0.9
Beam Angle	120°
THD	< 20%
Finish	Brushed Nickel
Operating Temperature	-4°F~+104°F/-20°C~+40°C
Lifespan	Maintains at least 70% light output for up to 50,000 hours

Applications

Bedrooms, hallways, living rooms, kitchens, and other residential or commercial spaces.

Features

- Sleek, modern, and contemporary design
- Brushed nickel steel + acrylic lens
- Damp location rated
- CCT selectable by dip switch
- Smooth dimming capabilities ranging from 10% to 100%
- Quick and easy installation, suitable for both vertical and horizontal mounting

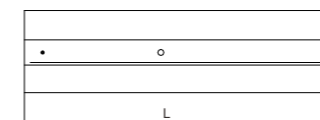
Model	Input Voltage	Dimming	Size	Wattage	CCT	Lumen
HYA-WS01-15WCCT-NK	120 VAC	Triac	7"x9-7/8"x3-1/4"	15 W	3000/4000/5000 K Selectable	1050 lm

LHB Series - LED Linear High Bay

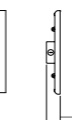


**Dimensions**

Front View



Side View



Model No.	HYA -LHB2-110W2FT-H-XXX	HYA -LHB2-165W2FT-H-XXX	HYA -LHB2-165W4FT-H-XXX	HYA -LHB2-225W4FT-H-XXX	HYA -LHB2-300W4FT-H-XXX
Side					
L	605mm/23.8"	605mm/23.81"	1165mm/45.87"	1165mm/45.87"	1165mm/45.87"
W	320mm/12.6"	440mm/17.32"	320mm/12.6"	320mm/12.6"	440mm/17.32"
H	52mm/2.05"	52mm/2.05"	52mm/2.05"	52mm/2.05"	52mm/2.05"

**Specifications**

CRI	> 80
Power Factor	> 0.9
Beam Angle	110°
THD	< 20%
Operating Temperature	-4°F~+104°F/-20°C~+40°C
Lifespan	Maintains at least 70% light output for up to 50,000 hours

**Applications**

Industrial areas, warehouses, supermarkets, factories, and other high-ceiling environments.

**Features**

- Ideal substitute for HID warehouse lighting
- Steel housing featuring a white powder-coated finish
- Lightweight module design for convenience
- Flexible mounting options: chain, pendant, or V hook

**Options**



Motion Sensor

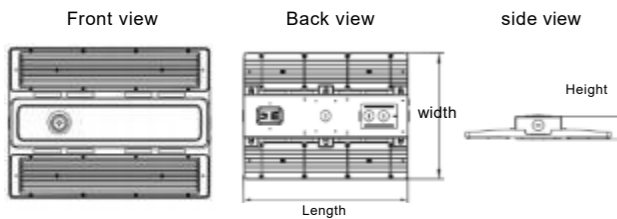
Model	Input Voltage	Dimming	Size	Wattage	CCT	Lumen
HY-LHB-110W2FTH-3W3CCT	120-277 VAC	0-10 V	2 ft	70/90/110 W Selectable	3500/4000/5000 K Selectable	15400 lm@110W
HY-LHB-160W2FTH-3W3CCT			2 ft	120/140/160 W Selectable		22400 lm@160W
HY-LHB-220W2FTH-3W3CCT			2 ft	160/190/220 W Selectable		30800 lm@220W
HY-LHB-220W4FTH-3W3CCT			4 ft	160/190/220 W Selectable		30800 lm@220W
HY-LHB-300W4FTH-3W3CCT			4 ft	220/260/300 W Selectable		42000 lm@300W

# LED LINEAR HIGH BAY SERIES

LHB3 Series - LED Linear High Bay



Dimensions



Model NO	Length	width	Height
HYA LH B03 160W1FT-H-2CCT	14.17in (360mm)	10.63in (270mm)	1.77in (45mm)
HYA LH B03 220W1FT-H-2CCT	18.1 1in (460mm)	1 1.30in (287mm)	1.77in (45mm)
HYA-LH B03 -320W2FT-H-2CCT	23.03in (585mm)	1 1.30in (287mm)	1.77in (45mm)

Specifications

CRI	> 80
Power Factor	> 0.9
Beam Angle	110°
THD	< 20%
IP Rate	IP20 (for indoor use only)
Operating Temperature	-4°F~+104°F/-20°C~+40°C
Lifespan	Maintains at least 70% light output for up to 50,000 hours

Applications

Warehouses, distribution centers, retail stores, field houses, gymnasiums, aisles, and other commercial or industrial spaces.

Features

- Durable Build: Die-cast aluminum with white powder coating; impact-resistant acrylic diffusers for added strength.
- Efficient Lighting: Aluminum heatsink for heat control; frosted lens reduces glare.
- Flexible Mounting: Lightweight with options for chain, pendant, or V-hook installation.

Options

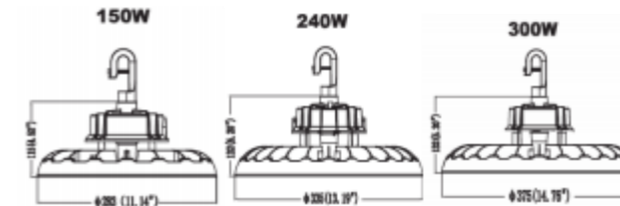


Model	Input Voltage	Dimming	Size	Wattage	CCT	Lumen
HYA-LHB03-160W1FT-H-2CCT	120-277 VAC	0-10 V	1 ft	100/120/160 W Selectable	4000/5000 K Selectable	14000/16800/22400 lm
HYA-LHB03-220W1FT-H-2CCT			1 ft	160/190/220 W Selectable		22400/22600/30800 lm
HYA-LHB03-320W2FT-H-2CCT			2 ft	220/270/320 W Selectable		30800/37800/44800 lm

UFO5 Series - LED UFO High Bay



Dimensions



Specifications

CRI	> 80
Power Factor	> 0.9
Beam Angle	90°
THD	< 20%
Operating Temperature	-13°F~+113°F/-25°C~+45°C
Lifespan	Maintains at least 70% light output for up to 50,000 hours

Applications

Warehouses, distribution centers, retail stores, field houses, gymnasiums, aisles, and other commercial or industrial applications.

Model	Input Voltage	Dimming	Size	Wattage	CCT	Lumen
HYA-UFO5-150W-H-3WCCT	120-277 VAC	0-10 V	φ 11.14"X4.52"	100/120/150 W Selectable	3500/4000/5000 K Selectable	15000/18000/23652 lm
HYA-UFO5-240W-H-3WCCT			φ 13.19"X5.20"	150/200/240 W Selectable		22500/30000/33867 lm
HYA-UFO5-300W-H-3WCCT			φ 14.76"X5.20"	200/240/300 W Selectable		30000/33867/43920 lm

Features

- Optimized Heat Dissipation & Compact Build: Advanced fin design with convective holes improves cooling. Lightweight, compact structure cuts shipping costs by up to 50%.
- Flexible Power & Durability: Wide AC120-277V input with 0-10V dimming support. IP65 rated for reliable use in wet conditions.
- High Efficiency & Custom Output: 3CCT selectable (3500K/4000K/5000K), delivering up to 150 lm/w with >90% transmittance optics for precise light distribution.

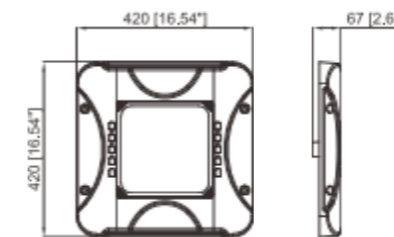




# LED GAS STATION CANOPY SERIES



### Dimensions



### Applications

Carports, gas stations, gyms, garages, and other high-bay lighting locations.

### Specifications

CRI	> 80
Power Factor	> 0.9
Beam Angle	110°
THD	< 20%
Operating Temperature	-4°F~+104°F/-20°C~+40°C
Lifespan	Maintains at least 70% light output for up to 50,000 hours

### Features

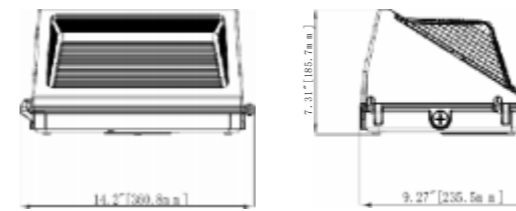
- Employs professional optical technology, achieving 130 lumens per watt for a broad light projection
- Fixture designed for enhanced cooling, featuring a larger size and an aluminum heat sink to ensure long-lasting performance
- Integrated driver for straightforward installation and operation
- UL-classified to mitigate electrical shock and fire hazards

Model	Input Voltage	Dimming	Size	Wattage	CCT	Lumen
HYA-GS-150W-57K	100-277 VAC	0-10 V	16.54"x2.64"x16.54"	150 W	5700 K	21105 lm

WP Series - LED Wall Pack



Dimensions



Specifications

CRI	> 80
Power Factor	> 0.9
Beam Angle	95°x105°
THD	< 20%
Operating Temperature	-40°F~+113°F/-40°C ~+45°C
Lifespan	Maintains at least 70% light output for up to 50,000 hours

Applications

Building exteriors, security perimeters, walkways, parking areas, loading docks, entrances, and other commercial or industrial outdoor spaces.

Features

- Ik08-rated prismatic glass cover lens for robust protection
- Enhanced surge protection for added reliability
- Suitable for use in ambient temperatures ranging from -40°F to 113°F
- Die-cast aluminum construction ensures superior heat resistance
- Powder-coat finish formulated for high durability and long-lasting color
- Photocell pre-installed for added convenience

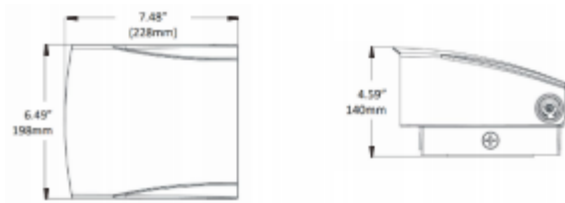
Model	Input Voltage	Dimming	Wattage	CCT	Lumen
HYA-WP-120W-TW3CCT	100-277 VAC	0-10 V	80/100/120 W Selectable	3000/4000/5000 K Selectable	10400/13000/15600 lm
HYA-WP-80W-TW3CCT			45/60/80 W Selectable		5850/7800/10400 lm

# LED OUTDOOR LIGHT SERIES

**WPA Series - LED Adjustable Wall Pack**



**Dimensions**



**Specifications**

CRI	> 80
Power Factor	> 0.9
Beam Angle	65°x95°
THD	< 20%
Operating Temperature	-40°F~+113°F/-40°C~+45°C
Lifespan	Maintains at least 70% light output for up to 50,000 hours

**Applications**

Building exteriors, security perimeters, walkways, parking areas, loading docks, entrances, and other commercial or industrial outdoor spaces.

**Features**

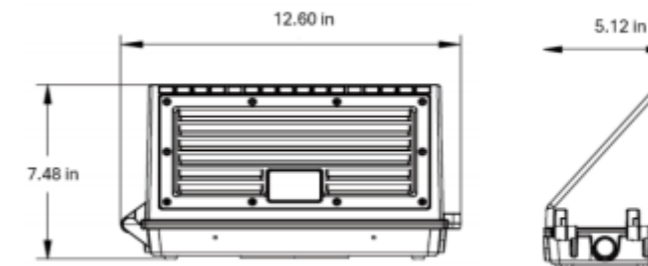
- Heavy duty spring loaded 0° to 90° tilt hinge
- Wattage selections: 45W-60W-80W
- Color selections: 3000 / 4000 / 5000K
- Great for full cut off lighting and wall washing applications

Model	Input Voltage	Dimming	Size	Wattage	CCT	Lumen
HYA-WPA-80W-TW3CCT	100-277 VAC	0-10 V	8.58"X8.5"	45/60/80 W Selectable	3000/4000/5000 K Selectable	5400/7200/9000 lm

**WPFC Series - LED Full Cut-off Wall Pack**



**Dimensions**



**Specifications**

CRI	> 70
Power Factor	> 0.9
Beam Angle	90°x100°
Operating Temperature	-40°F~+104°F/-40°C ~+40°C
Lifespan	Maintains at least 70% light output for up to 50,000 hours

**Applications**

Building facades, patios, driveways, walkways, decks, parking garages, and other commercial or industrial spaces.

**Features**

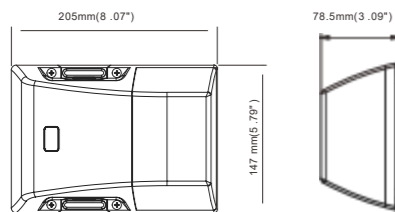
- Certified & Wet-Location Rated: DLC and ETL listed, suitable for wet locations, and backed by a 5-year limited warranty.
- Sealed & Weatherproof Design: Silicone ring sealing prevents dust ingress and ensures reliable waterproof performance; internal leveling system guarantees horizontal installation.
- Dimming Ready: Compatible with 0-10V dimming for smooth, energy-efficient light control.

Model	Input Voltage	Dimming	Size	Housing Finish	Wattage	CCT	Lumen
HYA-WPFC-75W-TWCCT	100-277 VAC	0-10 V	12.60"×5.12"×7.48"	Dark bronze	45/60/75 W Selectable	3000/4000/5000 K Selectable	9534 lm@75W

MNWP Series - LED Mini Wall Pack



Dimensions



Specifications

CRI	> 80
Power Factor	> 0.9
Beam Angle	120°
THD	< 20%
Operating Temperature	-40°F~+122°F/-40°C~+50°C
Lifespan	Maintains at least 70% light output for up to 50,000 hours

Applications

Building exteriors, security perimeters, walkways, parking areas, loading docks, entrances, and other commercial or industrial outdoor spaces.

Features

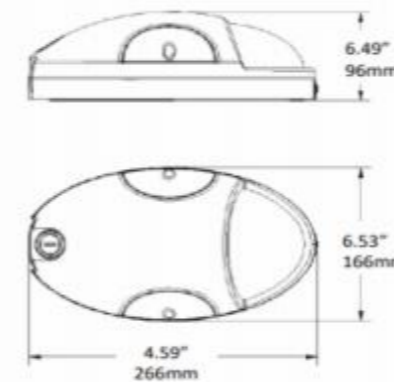
- Die cast aluminum housing with corrosion resistant polyester paint finish
- The UV-stabilized PC lens ensures resistance to both corrosion and weathering
- Photocell can be enabled or disabled to user preference

Model	Input Voltage	Dimming	Size	Wattage	CCT	Lumen
HYA-MWP-962-3W3CCT	120-277 VAC	0-10 V	8.78"×5.92"×2.56"	15/20/25 W Selectable	3000/4000/5000 K Selectable	1800/2400/3000 lm

MWPEM Series - LED Emergency Wall Pack



Dimensions



Applications

Entrance lighting, courtyard lighting, outdoor landscape lighting, and wall-mounted lighting areas.

Specifications

CRI	> 80
Operation Temperature	+32°F~+113°F/-0°C~+45°C
Driver Surge protection	L/N-PE: 2.5kV, L-N: 2.5kV
Lamp Shell	Dark bronze
Environment Location	Wet location (IP65)
Life Span	Lumen maintenance over 70% @50,000+ Hours

Features

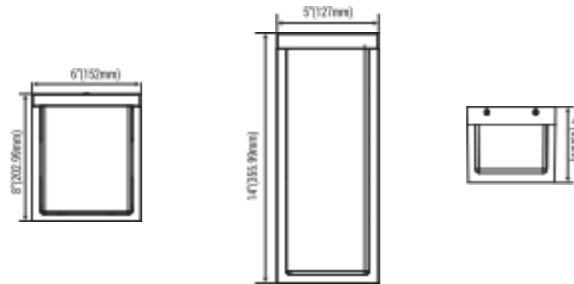
- Power factor: >0.95; THD: <20%
- 24-hour backup battery recharge time and over 90- min emergency operation during a power outage
- Non-yellowing and durable polycarbonate lens
- Type IV light distribution pattern and 100° beam angle

Model	Input Voltage	Dimming	Size	Wattage	CCT	Lumen
HYA-MWP-15W-EM-35/40/50(PC)	120 VAC	0-10 V	8.789"×5.92"×2.56"	15 W	3000/4000/5000 K Selectable	1800 lm (620lm at EM Mode)

MWP02 Series - LED Outdoor Wall Sconce



Dimensions



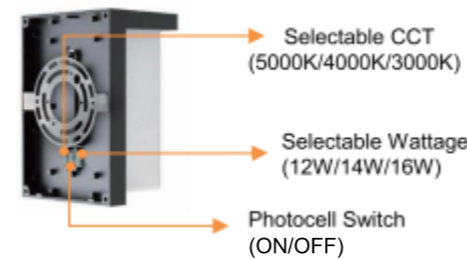
Specifications

CRI	> 80
Beam Angle	125°
THD	< 20%
Material	Shell: Oil Rubbed Bronze Lens: White acrylic
Function	Photocell Pre-installed
Operating Temperature	-4°F~+113°F/-20°C~+40°C
Lifespan	Maintains at least 70% light output for up to 50,000 hours

Applications

Decks, front doors, porches, patios, corridors, walkways, and other shared or common areas.

Features

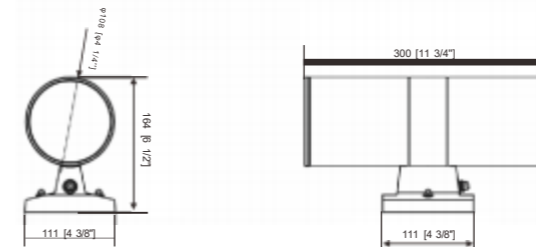


Model	Input Voltage	Dimming	Size	Wattage	CCT	Lumen
HYA-MWP02-0864-H-3W3CCT(PTC)	100-277 VAC	Non-dimmable	8" H	12/14/16 W Selectable	3000/4000/5000 K Selectable	2400 lm@16W
HYA-MWP02-1454-H-3W3CCT(PTC)			14" H	18/20/22 W Selectable		3300 lm@22W

CUD Series - LED Cylinder Up and Down Outdoor Wall Light



Dimensions



Specifications

CRI	> 80
Power Factor	> 0.9
Sensor Option	Photocell Pre-Installed
Operating Temperature	-4°F~+104°F/-20°C ~+40°C
Lifespan	Maintains at least 70% light output for up to 50,000 hours

Applications

Building entrances, walkways, porches, patios, and other outdoor spaces.

Features

- Constructed of rugged, aluminum alloy and glass lens
- Projects in both directions and washes the wall above and below with light
- Durable and suitable for wet locations
- Matte black finish and modern design
- Pre-installed dusk to dawn light photocell sensor to turn off the lights during daytime and save more energy

Model	Input Voltage	Dimming	Size	Wattage	CCT	Lumen
HYA-CUD-18W3CCTPC	120-277 VAC	Triac	11-3/4"x4-3/8"x6-1/2"	18W	3000/4000/5000 K Selectable	1100 lm

FL02 Series - LED Flood Light



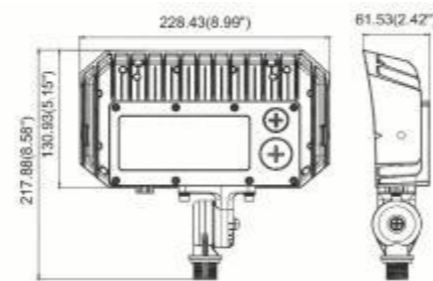
Applications

Wall lighting, landscaping, building facades, signage and entryways, garage and building perimeters, loading bays, and other residential or commercial applications.

Specifications

CRI	80
Power Factor	> 0.9
THD	< 20%
Operating Temperature	-32°F~+113°F/0°C ~+45°C
Lifespan	Maintains at least 70% light output for up to 50,000 hours

Dimensions



Features

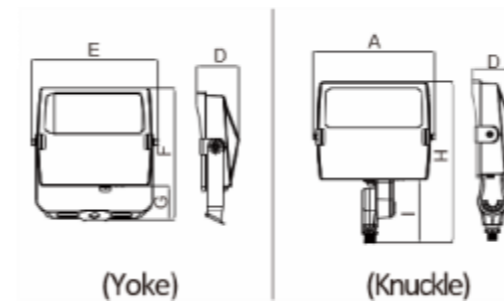
- Slim, compact LED flood light with a die-cast aluminum housing that doubles as an efficient heat sink
- Designed for optimal cooling through natural convection and passive airflow, ensuring long-lasting, energy-efficient performance
- Ideal replacement for traditional security, commercial, and residential lighting applications

Model	Input Voltage	Dimming	Size	Wattage	CCT	Lumen
HYA-FL02-50/40/30W-H-3CCT	120-277 VAC	0-10 V	8.99"x5.15"x2.42"	30/40/50 W Selectable	3000/4000/5000 K Selectable	6537 lm@50 W

FL03 Series - LED Flood Light



Dimensions



ITEM	A	D	E	F	G	H	I
HYA-FL03-80W-H-TWCCT	9.42"	3.23"	9.61"	10.07"	2.6"	12.28"	4.8"
HYA-FL03-120W-H-TWCCT	10.6"	3.25"	10.87"	11.35"	2.7"	13.44"	4.8"

Specifications

CRI	> 80
Power Factor	> 0.9
Dimming	0-10 V
Lamp Shell	Black
Operating Temperature	-40°F~+104°F/-40°C ~+40°C
Lifespan	30000 H

Model	Input Voltage	Wattage	CCT	Lumen
HYA-FL03-80W-H-TWCCT	120-277 VAC	40/60/80 W Selectable	3000/4000/5000 K Selectable	9699 lm(Max)
HYA-FL03-120W-H-TWCCT		80/100/120 W Selectable		15090 lm(Max)

Applications

Security Lighting, Landscape Lighting, Sports Facilities, Lighting Warehouses, Parking Lots, Building Facades, Event Lighting, Construction Sites, Outdoor Advertising, Signage Illumination, Emergency Lighting, Stage Lighting, Architectural Highlighting

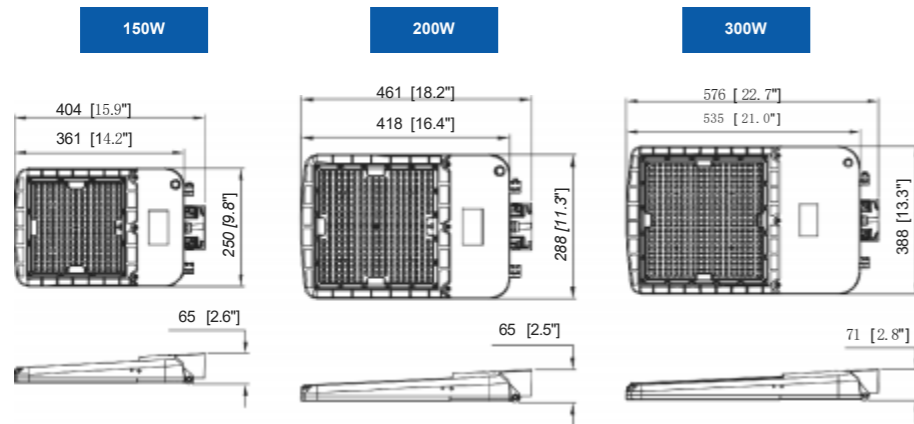
Features

- Modern, eye-catching design: Sleek triangular shape with sharp edges and premium black finish options
- Efficient heat dissipation: Durable ADC12 die-cast aluminum construction with integrated design for enhanced thermal management
- Adjustable lighting control: Field-selectable CCT and wattage with built-in photocell for added flexibility
- Versatile, weather-resistant installation: Multiple mounting options (Yoke, Knuckle) with adjustable angles, plus IP65 rating and drainage design for reliable outdoor performance

**AL02 Series - LED Area/Shoebox Light (Watt Adjustable)**



**Dimensions**



**Accessories**



**Specifications**

CRI	> 80
Power Factor	> 0.9
Distribution Type	Type 3
THD	< 20%
IP Rating	WET LOCATIONS (Ip65)
Protection Rating	IP65
Operating Temperature	-40°F~-+113°F/-40°C~-+45°C
Lifespan	Lumen maintenance over 70% @50,000+ Hours

**Applications**

Commercial and industrial outdoor lighting, parking lots, building facades, storage yards, parks, and other outdoor spaces.

**Features**

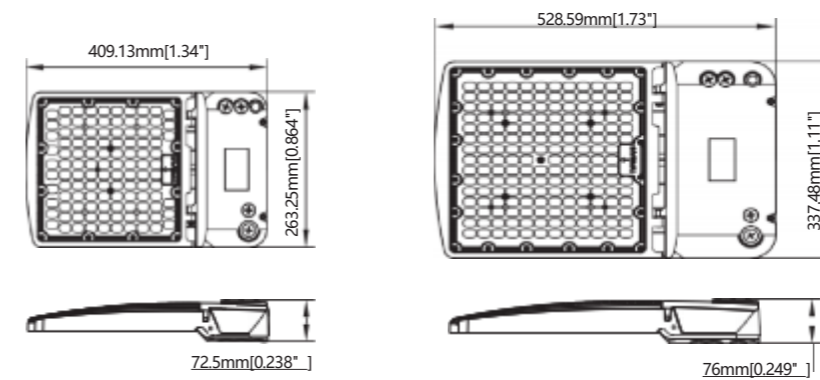
- High-Efficiency LED Driver: Wide input voltage AC 120-277V/ 277-480V for flexible installation.
- Surge Protection: 6kV protection for reliable performance.
- Durable Aluminum Housing: Optimized for heat dissipation, easy maintenance; LED junction <185°F.-
- Advanced Optics: Brighter, uniform illumination.
- Smart Controls: Works with photocell and PIR sensors for automated, energy-efficient operation.

Model	Input Voltage	Dimming	Wattage	CCT	Lumen
HYA-AL02-150W-H3-TWCCT	120-277 VAC	0-10 V	70/100/150 W Selectable	3000/4000/5000 K Selectable	22007 lm(Max)
HYA-AL02-200W-H3-TWCCT			100/150/200 W Selectable		26947 lm(Max)
HYA-AL02-300W-H3-TWCCT			200/240/300 W Selectable		44288 lm(Max)
HYA-AL02-300W-H3-HV-TWCCT	277-480 VAC	200/240/300 W Selectable	43453 lm(Max)		

**AL03 Series - LED Shoebox/Area Light**



**Dimensions**



HYA-AL03-150W-AH-TWCCT

HYA-AL03-200W-AH-TWCCT  
HYA-AL03-300W-AH-TWCCT

**Accessories**



**Specifications**

CRI	Ra>70
Power Factor	> 0.9
Distribution Type	Type III -Type IV-Type V Switchable
THD	< 20%
Protection Rating	Wet Locations (Ip65)
Operating Temperature	-40°F~-+113°F/-40°C~-+45°C
Lifespan	Lumen maintenance over 70% @50,000+ Hours

**Applications**

Commercial and industrial outdoor lighting, including parking lots, buildings and facades, storage yards, parks, and more.

**Features**

- Field-switchable: distribution, wattage, CCT
- Adjust light distribution (Type III, IV, or V), power output, and color temperature (3000K / 4000K / 5000K) via switches for maximum on-site flexibility.
- High-efficiency driver (120-277V) with surge protection
- Wide input voltage range with built-in 6kV surge protection ensures reliable, long-term performance.
- Sensor-ready with photocell and motion capability
- Includes built-in photocell and supports motion sensing, with optional PIR sensor for enhanced energy savings and control.
- Flexible mounting options

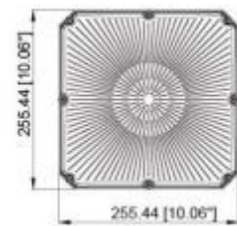
Model	Input Voltage	Wattage	CCT	Lumen
HYA-AL03-150W-AH-TWCCT	120-277 VAC	70/100/150 W Selectable	3000/4000/5000 K Selectable	20352 lm(Max)
HYA-AL03-200W-AH-TWCCT		100/150/200 W Selectable		30312 lm(Max)
HYA-AL03-300W-AH-TWCCT		200/240/300 W Selectable		50341 lm(Max)

GC Series - LED Garage Canopy

GC2 Series - LED Garage Canopy



Dimensions



Specifications

CRI	> 80
Power Factor	> 0.9
Beam Angle	120°
THD	< 20%
Operating Temperature	-40°F~+104°F/-40°C~+40°C
Lifespan	Maintains at least 70% light output for up to 50,000 hours

Applications

Parking structures, storage areas, shopping walkways, building entryways, low-roof security areas, and garages.

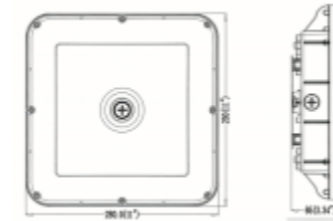
Features

- Designed for operation in ambient temperatures ranging from -40°F to 104°F
- Die-cast aluminum housing with a die-cast backbox, providing four conduit entry points and a knockout pattern for junction box or direct wall mounting
- Hinged door allows for effortless re-assembly
- Lightweight design enables easy installation while ensuring optimal heat dissipation
- Powder-coat finish engineered for outstanding durability and color retention

Model	Input Voltage	Dimming	Size	Wattage	CCT	Lumen
HYA-GC-70W/60W/40W-CCT	120-277 VAC	0-10 V	10.06"x10.06"x4.19"	40/60/70 W Selectable	3000/4000/5000 K Selectable	5200/7800/9100 lm



Dimensions



Specifications

CRI	> 80
Power Factor	> 0.9
Beam Angle	150°
THD	< 20%
Operating Temperature	-40°F~+104°F/-40°C~+40°C
Lifespan	Lumen maintenance over 70% @50,000+ Hours

Model	Input Voltage	Dimming	Size	Wattage	CCT	Lumen
HYA-GC2-10W-FG-H-TCP	120-277 VAC	0-10 V	11"x11"x3.34"	60/80/100 W Selectable	3000/4000/5000 K Selectable	7500/10570/13285 lm

Applications

Parking garages, stairwells, passageways, underpasses, and a wide range of other commercial or industrial spaces.

Features

- The fin design and advanced grooves between fins enhance heat dissipation.
- It features a professional light distribution technique with high-reflectivity reflectors, a 150° beam angle, and alens with a light transmission rate of over 90%.
- It is UL-certified, ensuring safety and reliability.
- It is suitable for wet locations.

Options

Motion sensor



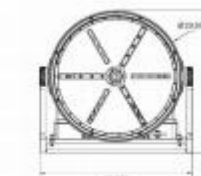
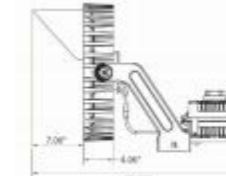
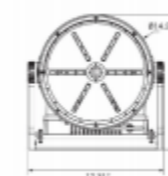
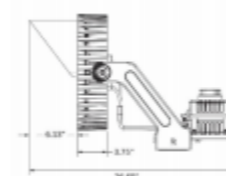
SP Series - LED Sports Light



Dimensions

500W

750W



Specifications

CRI	>80
Environment Location	Wet locations (IP65)
Driver Surge protection	L/N-PE: 10kV, L-N:6kV
Lamp Shell	Black
Beam Angle	40°
Working Temperature	-40F ~122F / -40C ~50C
Lifespan	Lumen maintenance over 70% @ 100,000+ Hours

Applications

Stadiums, sports fields, driving ranges, ski resorts, parks, and other areas requiring high-power, wide-flood, pole-mounted illumination.

Features

- Power factor: >0.95; THD: <20%
- Heavy duty die cast aluminum housing offers a durable and modern aesthetic while carrying inspiration from existing legacy fixture solutions
- Glare shield included in packaging. Easy install for use as required by site demands
- Designed for installation as a single assembly or with a remote driver box, providing on-site flexibility
- Pre-Installed angle adjustable yoke mount bracket

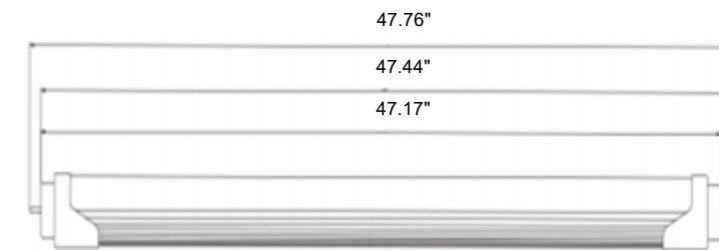
Model	Input Voltage	Dimming	Legacy Equivalent	Wattage	CCT	Lumen
HYA-SP-500W-50TWFM-T1PS4(BHC)	100-277 VAC	0-10 V	1500 W MH	500/400/300 W Selectable	5000 K	70000 lm@500W
HYA-SP-750W-50TWFM-T1PS4(BHC)	100-277 VAC		2000 W MH	750/600/450 W Selectable		105000 lm@750W
HYA-SP-750W-HV-50TWFM-T1PS4(BHC)	220-480 VAC		2000 W MH			105000 lm@750W

# LED SPORTS LIGHT SERIES

4FT T8 LED Tube Type B



Dimensions



Specifications

CRI	> 80
Power Factor	> 0.9
Beam Angle	140°
THD	< 20%
Operating Temperature	-4°F~+113°F/-20°C~+45°C
Lifespan	Maintains at least 70% light output for up to 50,000 hours

Applications

Supermarkets, offices, shopping malls, hotels, hospitals, schools, showrooms, and other commercial or industrial spaces.

Features

- The Type B tube is a flexible lighting solution for bypass installations, compatible with modern systems and eliminating ballast reliance.
- Bypass Mode: Designed for fixtures with the ballast removed, simplifying maintenance and avoiding ballast failures.
- 25-in-1 Configuration: Offers 5 selectable wattages and 5 color temperatures for adaptable, energy-efficient lighting.
- Durable Build: Aluminum and plastic housing ensures reliability and performance in tough environments.

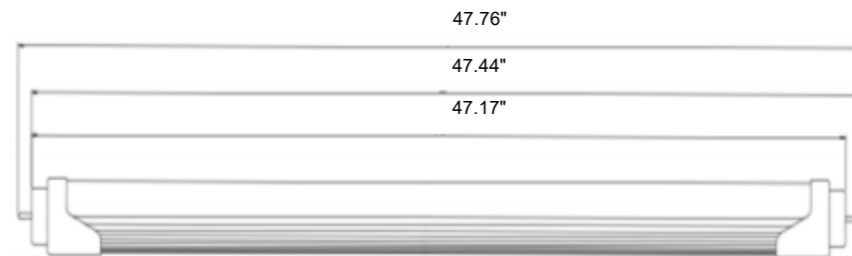
Model	Input Voltage	Cover	Lamp Base	Wattage	CCT	Lumen
HYA-T8-4FT-TWCCT(F)	120-277 VAC	Frosted	G13	12/15/18/20/22 W Selectable	3500/4000/5000/ 5700/6500 K Selectable	2640 lm(Max)
HYA-T8-4FT-TWCCT(T)		Clear				

LED TUBE  
SERIES

4FT T8 LED Tube Type A+B



Dimensions



Specifications

CRI	> 80
Power Factor	> 0.9
Beam Angle	140°
THD	< 20%
Operating Temperature	-4°F~+113°F/-20°C~+45°C
Lifespan	Maintains at least 70% light output for up to 50,000 hours

Applications

Supermarkets, offices, shopping malls, hotels, hospitals, schools, showrooms, and other commercial or industrial spaces.

Features

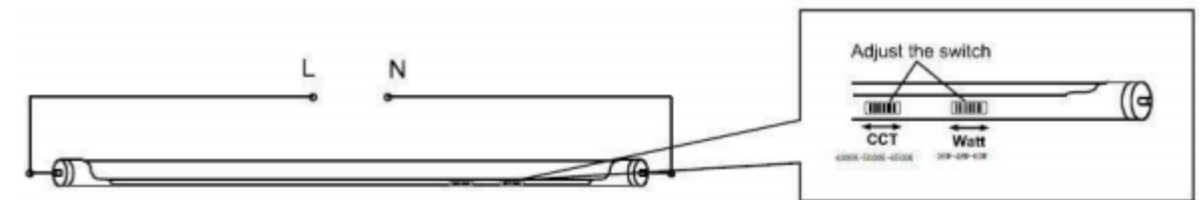
- Dual-mode operation (Type A+B): Compatible with both ballast (plug-and-play) and ballast bypass installations for maximum flexibility
- 5 CCT × 5 watt selectable (25-in-1): Multiple color temperatures and wattage options for versatile application needs
- Energy-efficient design: Ideal for reducing power consumption while maintaining performance
- Durable aluminum and plastic hous

Model	Input Voltage	Cover	Lamp Base	Wattage	CCT	Lumen
HYA-T8-4FT-5W5CCT-AB(F)	120-277 VAC	Frosted	G13	12/15/18/20/22 W Selectable	3500/4000/5000/5700/6500 K Selectable	2640 lm(Max)
HYA-T8-4FT-5W5CCT-AB(T)		Clear				

LED T8 8FT Tube - CCT and Watt Selectable



Dimensions



Specifications

CRI	> 80
Power Factor	> 0.9
Beam Angle	180°
THD	< 20%
Operating Temperature	-4°F~+104°F/-20°C~+40°C
Lifespan	Maintains at least 70% light output for up to 50,000 hours

Applications

Decks, front doors, porches, patios, corridors, walkways, and other common areas.

Features

- Dual lens options: Available with frosted or clear covers to meet different lighting requirements
- Adjustable lighting: CCT selectable for flexible color temperature settings across various applications
- Durable construction: Aluminum and polycarbonate (AL & PC) housing rated for damp locations
- Reliable installation: Equipped with an FA8 single-pin base or R17D (HO) for secure fit and long-term performance.

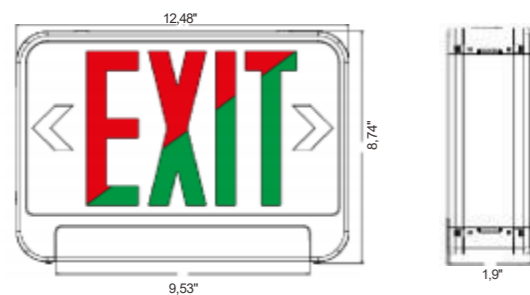
Model	Input Voltage	Cover	Lamp Base	Wattage	CCT	Lumen
HYA-T8-8FT-H-TWCCT(FC)	100-277 VAC	Clear	FA8	36/48/60 W Selectable	4000/5000/6500 K Selectable	4680/6240/7800 lm
HYA-T8-8FT-H-TWCCT(FF)		Frosted	FA8			
HYA-T8-8FT-H-TWCCT(RC)		Clear	R17D			
HYA-T8-8FT-H-TWCCT(RF)		Frosted	R17D			



LED Remote Capable Exit Sign Combo - Red / Green Switchable (HY-EXLCOMB02-RC)



Dimensions



Applications

Supermarkets, offices, shopping malls, hotels, hospitals, schools, and more commercial and industrial applications

Specifications

Voltage	120-277 V AC
Emergency Time	Min 90 Min with 9.6V Ni-Cad Battery
Operating Temperature	32°F~+104°F/0°C~+40°C
Remote Head Capability	Supports remote heads up to max of 2.4W
Lettering Color	Red/Green Switchable

Features

- Innovative design for quick and easy installation in minutes
- Universal J-box mounting pattern
- Supports wall or ceiling mounting with single- or double-face EXIT configuration
- Green/Red color switchable
- Injection-molded, engineering-grade thermoplastic housing with a 5VA flame-retardant rating and high-impact-resistant construction.
- EZ snap-out chevron directional indicators for flexible signage
- 2W LED light bar with 180° adjustable rotation angle

LED Exit Sign: HY-EXS01RED



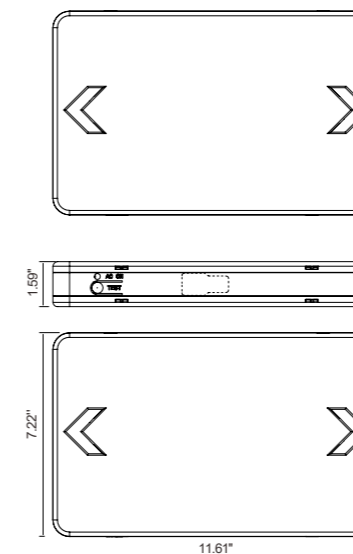
Features

- UL 924 and damp location rated
- Test switch / power indicator light
- High impact flame retardant high thermos plastic
- Single or double sided sign option
- Universal mounting option: Can be wall, top or end mounted

Specifications

Voltage	120/277 V 60Hz
Finish	White finish / red Sign
Emergency Time	90 Minutes
Battery	1.2V Ni-Cad battery
Wattage	1.0W@120V; 0.85W@277V
Operating Temperature	32°F~+104°F/0°C~+40°C

LED Exit Sign: HY-EXS01RG



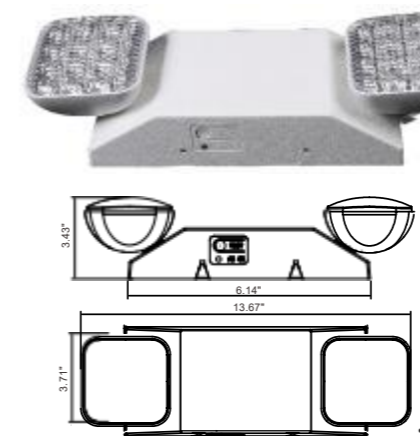
Features

- UL 924 and damp location rated
- Switchable red/green color
- Supports wall, top, or end mounting option
- Equipped with a test switch and integrated power indicator light

Specifications

Voltage	120/277 V 60Hz
Finish	White finish / red or green sign
Emergency Time	90 Minutes
Battery	1.2V Ni-Cad battery
Wattage	1.0W@120V; 0.85W@277V
Operating Temperature	32°F~+104°F/0°C~+40°C

LED Emergency Light: HY-EML01WH



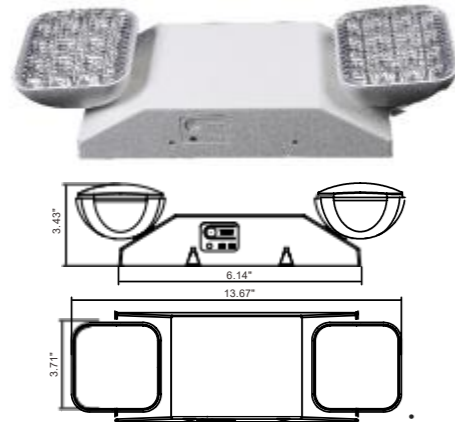
Features

- UL 924 and damp location rated
- Wall mount: Fully adjustable heads

Specifications

Voltage	120/277 V 60Hz
Finish	White finish
Emergency Time	90 minutes with 6.0V Ni-Cad battery
Lumens	234 lm
Wattage	3.0W@120V; 3.6W@277V
Operating Temperature	32°F~+104°F/0°C~+40°C

**LED Remote Capable Emergency Light: HY-EML01WH-RC**



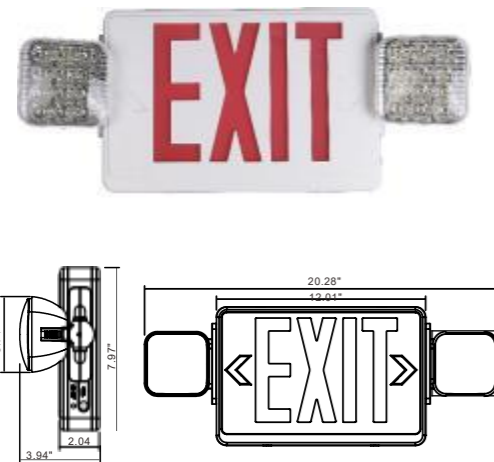
Features	
UL 924 and damp location rated	
Wall mount: fully adjustable heads	
Remote capable	
Specifications	
Voltage	120-277 V AC
Finish	White finish
Emergency Time	90 minutes with 6.0V-Volt 700mAH battery
Lumens	234 lm
Wattage	3.0W@120V;3.6W@277V

**LED Emergency Light Remote Double Head: HY-RH-2(WH)**



Features	
For use with a remote head capable exit lightor sign.	
Two LED square lamp heads.	
Suitable for wall or ceiling mount.	
Specifications	
Voltage	3.6V-9.6V DC voltage
Finish	White finish
Operating Temperature	32°F~+104°F/0°C~+40°C

**LED Exit Sign and Emergency Light Combo: HY-EXLCOMB01RED**



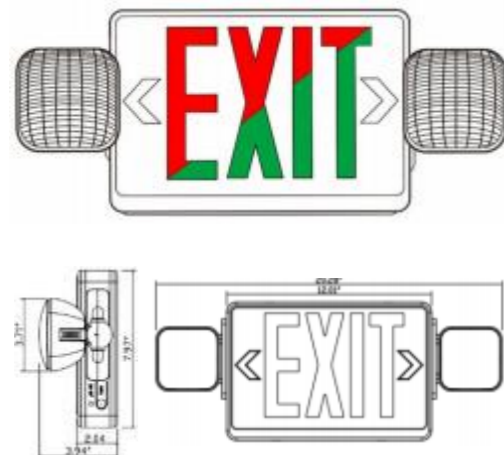
Features	
• Certified for damp locations and UL 924 compliant	
• Equipped with a test switch incorporating a power indicator light	
• Crafted from high-impact flame-retardant thermoplastic materials.	
• Well-suited for environments requiring both exit signage and emergency lighting within the same area	
• Offers versatile mounting options: Wall, top, or end-mounted configurations are available	
Specifications	
Voltage	120/277 V 60Hz
Finish	White finish / Red sign
Emergency Time	90 minutes with 6.0V Ni-Cad battery
Lumens	247 lm
Wattage	3.0W@120V;3.7W@277V
Operating Temperature	32°F~+104°F/0°C~+40°C

**LED Emergency Remote Head: HY-RH-1(WH)**






Features	
Compatible with emergency fixtures that support remote lamp heads for easy lighting expansion	
Durable injection-molded housing made from engineering-grade thermoplastic	
5VA flame-retardant construction with high impact resistance for enhanced safety and longevity	
One LED square lamp head	
Specifications	
Voltage	3.6V-9.6V DC voltage
Finish	White finish
Operating Temperature	32°F~+104°F/0°C~+40°C







**LED Remote Capable Red/Green Exit Sign and Emergency Light Combo: HY-EXLCOMBO01-RC**





Features	
White finish with a high-impact resistant and flame-retardant thermoplastic.	
Switchable between RED/GREEN.	
Power up to (2) remote heads.	
Innovative and easy installation in minutes in a Universal j-box mouting pattern.	
Specifications	
Voltage	120/277 V
Finish	White finish with red / green sign
Emergency Time	90 minutes with 9.6V Ni-Cad battery
Lumens	245 lm
Wattage	4.6W
Operating Temperature	32°F~+104°F/0°C~+40°C


LED Emergency Drive r						
	One-Piece Enclosed Universal Voltage LED Emergency Driver					
	Model No.	Maximum Output Power	Input Voltage	Output Power	Output Voltage	For Products
	BLD-HM15D-480800	15 W	100-347 Vac	15 W Max	≤175 V DC	LED Panel/ LED 254 Troffer/ LED Tr-proof or any other 0-10V Dimmable Fixtures
BLD-HM25D-480800	25 W	25 W Max				
	Standard Two-Piece Low Output LED Emergency Driver					
	Model No.	Maximum Output Power	Input Voltage	Output Power	Output Voltage	For Products
	BLD-CM20E-480800-3W	8 W	100-277 Vac	7 W Max	25-48 Vdc	LED Center Basket Troffer/ LED Linear Fixture/LED Wrap
BLD-CM08H-YYY	8 W	100-347 Vac	8 W Max	60-150 Vdc	TRCB02 Troffer/LS8060 Strips	
	UFO High Bay Emergency Driver					
	Model No.	Maximum Output Power	Input Voltage	Output Power	Output Voltage	For Products
BLD-RM40R-YYY	40 W	100-347 Vac	350 W Max	170 Vdc	LED UFO High Bay	

Motion Sensor					
	Model No.	Description		Model No.	Description
ANT-5-4T-PC	Low-voltage Dusk to Dawn Photocell for AL Series	HYA-PIR-PL-AUX(H)	Plug & Play Sensor for Panel Series		
	Model No.	Description		Model No.	Description
ANT-6-4T-KN	Low-voltage Bi-level PIR for High Bay Series	ANT-3A	Low-voltage Microwave Bi-level Sensor for Strip and Wrap Series		
	Model No.	Description		Model No.	Description
HD09VR-PH5-1	Low-voltage Bi-level PIR for High Bay Series	ANT-7	Low-voltage Daylight Harvest Microwave Sensor for Center Basket Troffer Series		
	Model No.	Description		Model No.	Description
ANT-1P-4T	Low-voltage Bi-level & Daylight Harvesting PIR for Backlit Series	HY-SP170S-WH	Occupancy Sensor Light Switch		
	Model No.	Description		Model No.	Description
RC100	Remote Control for ANT& BRI Series)	HD05R	Remote Control for HD09VR Series		
	Model No.	Description		Model No.	Description
BRI819P-B-D	Fixture-Mounted Motion Sensor	ANT-7D	Low Voltage Microwave Bi-level Sensor		

Networked Lighting Control					
	Model No.	Description		Model No.	Description
HYA-PIR-PL-BLE	Bluetooth Motion Sensor	BC-USDM101-4-GE	6-Button Wireless Dimmer Wall Switch		
	Model No.	Description		Model No.	Description
ANT-6-4T-BLE	Bluetooth PIR Motion Sensor	BRI-WS204-GE	4-Button Wireless Switch		
	Model No.	Description		Model No.	Description
ANT-3A-BLE-GE	Bluetooth Microwave Fixture Sensor	ANT-7D-BLE	Bi-level Bluetooth Microwave Sensor with Magnet		
	Model No.	Description		Model No.	Description
BC-USDM101-6-GE	Bluetooth Dimmer and CCT Wall Switch	GT-001-GE	HY NLC Gateway		

Lighting Control		
	Model No.	Description
ANA030F1-600-P	LED Dimmer Switch	

Step Down Voltage Transformer			
	Model No.	Input Voltage	Description
ACCS - Step Down Voltage Transformer		277/347/480 V	Step Down Voltage Transformer - (ES-TB325-02) 480Vac To 208Vac/ 347Vac to 150Vac/ 277Vac to 120Vac

LED-Ready Linear Strip Fixture		
	8FT LED - Ready T8 Tandem Strip Fixture	
	Model No.	Description
ACCS-T8-8FT Tandem	Compatible with single-ended, direct-wire T8 LED tubes. (LED tubes are sold separately)	